

MCP Specification of
256Mb NAND and 256Mb Mobile SDRAM

Document Title

**Multi-Chip Package MEMORY
256M Bit(32Mx8) Nand Flash / 256M Bit(4Mx16x4Banks) Mobile SDRAM**

Revision History

<u>Revision No.</u>	<u>History</u>	<u>Draft Date</u>	<u>Remark</u>
0.0	Initial issue. (256Mb NAND C-Die_Ver 1.0) (256Mb MSDRAM E'-Die_Ver 0.5)	June 23, 2003	Preliminary

Note : For more detailed features and specifications including FAQ, please refer to Samsung's web site.
http://samsungelectronics.com/semiconductors/products/products_index.html

The attached datasheets are prepared and approved by SAMSUNG Electronics. SAMSUNG Electronics CO., LTD. reserve the right to change the specifications. SAMSUNG Electronics will evaluate and reply to your requests and questions about device. If you have any questions, please contact the SAMSUNG branch office near you.

Multi-Chip Package MEMORY

256M Bit (32Mx8) Nand Flash / 256M Bit (4Mx16x4Banks) Mobile SDRAM

FEATURES

<Common>

- Operating Temperature : -25°C ~ 85°C
- Package : 107-ball FBGA Type - 10.5x13mm, 0.8mm pitch

<NAND>

- Power Supply Voltage : 2.4~2.9V
- Organization
 - Memory Cell Array : (32M + 1024K)bit x 8bit
 - Data Register : (512 + 16)bit x 8bit
- Automatic Program and Erase
 - Page Program : (512 + 16)Byte
 - Block Erase : (16K + 512)Byte
- Page Read Operation
 - Page Size : (512 + 16)Byte
 - Random Access : 10µs(Max.)
 - Serial Page Access : 50ns(Min.)
- Fast Write Cycle Time
 - Program time : 200µs(Typ.)
 - Block Erase Time : 2ms(Typ.)
- Command/Address/Data Multiplexed I/O Port
- Hardware Data Protection
 - Program/Erase Lockout During Power Transitions
- Reliable CMOS Floating-Gate Technology
 - Endurance : 100K Program/Erase Cycles
 - Data Retention : 10 Years
- Command Register Operation
- Intelligent Copy-Back
- Unique ID for Copyright Protection

<Mobile SDRAM>

- Power Supply Voltage : 1.65~1.95V
- LVCMOS compatible with multiplexed address.
- Four banks operation.
- MRS cycle with address key programs.
 - CAS latency (1, 2 & 3).
 - Burst length (1, 2, 4, 8 & Full page).
 - Burst type (Sequential & Interleave).
- EMRS cycle with address key programs.
- All inputs are sampled at the positive going edge of the system clock.
- Burst read single-bit write operation.
- Special Function Support.
 - PASR (Partial Array Self Refresh).
 - Internal TCSR (Temperature Compensated Self Refresh)
 - DS (Driver Strength)
- DQM for masking.
- Auto refresh.
- 64ms refresh period (4K cycle).
- Commercial Temperature Operation (-25°C ~ 70°C).

GENERAL DESCRIPTION

The K5D5657DCM is a Multi Chip Package Memory which combines 256Mbit Nand Flash Memory and 256Mbit synchronous high data rate Dynamic RAM.

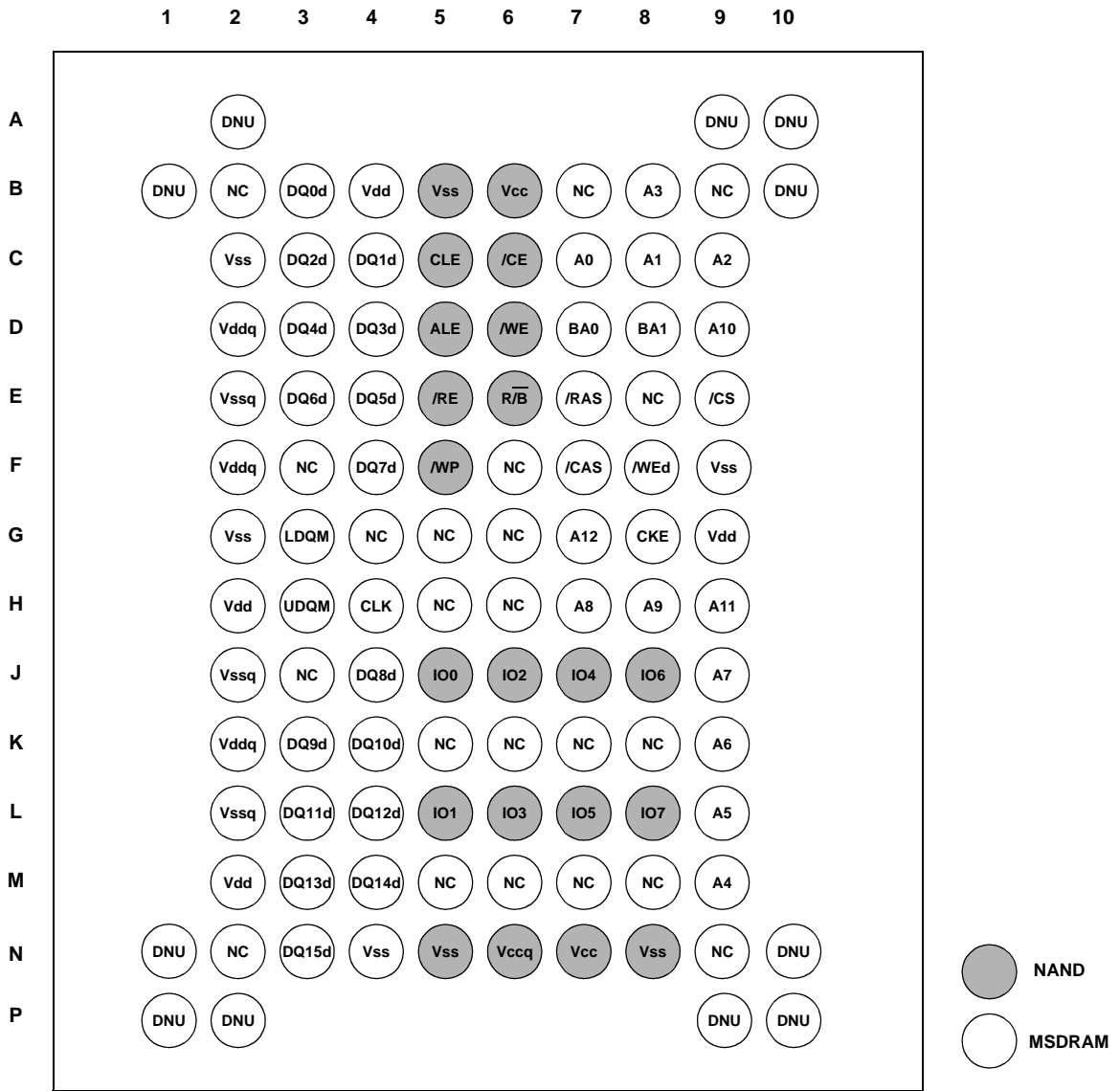
256Mbit NAND Flash memory is organized as 32M x8 bits and 256Mbit SDRAM is organized as 4M x16 bits x4 banks.

In 256Mbit NAND Flash, a 528-Byte page program can be typically achieved within 200µs and a 16K-Byte block erase can be typically achieved within 2ms. In serial read operation, a byte can be read by 50ns. DQ pins serve as the ports for address and data input/output as well as command inputs. Even the write-intensive systems can take advantage of FLASH's extended reliability of 100K program/erase cycles with real time mapping-out algorithm. These algorithms have been implemented in many mass storage applications.

In 256Mbit SDRAM, Synchronous design make a device controlled precisely with the use of system clock and I/O transactions are possible on every clock cycle. Range of operating frequencies, programmable burst length and programmable latencies allow the same device to be useful for a variety of high bandwidth, high performance memory system applications.

The K5D5657DCM is suitable for use in data memory of mobile communication system to reduce not only mount area but also power consumption. This device is available in 107-ball FBGA Type.

PIN CONFIGURATION



107 FBGA: Top View (Ball Down)

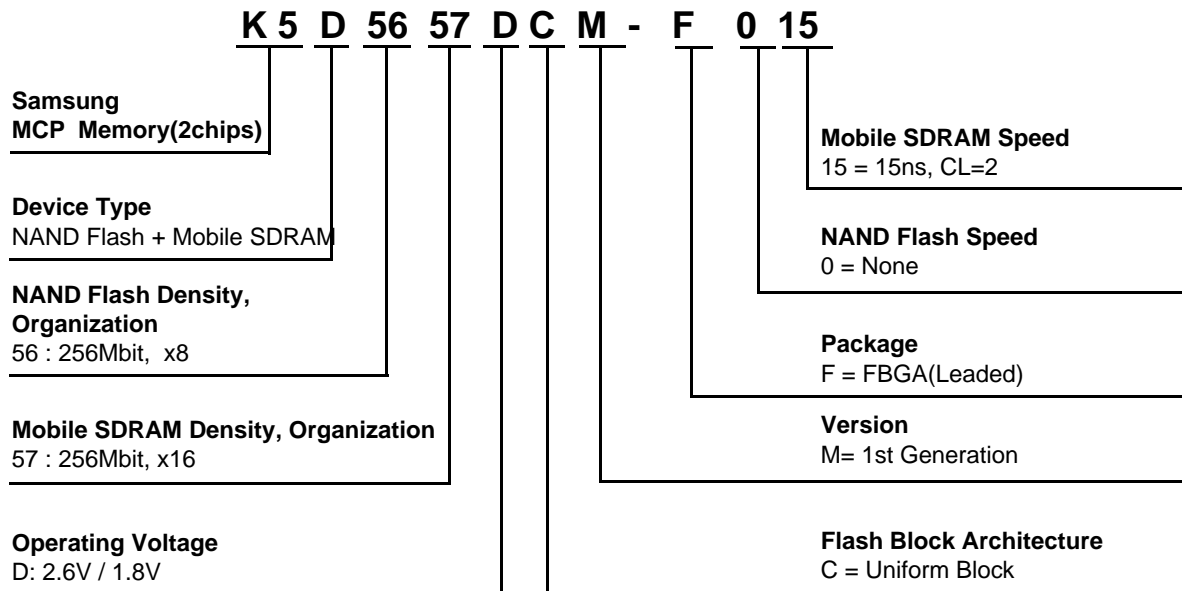
PIN DESCRIPTION

Pin Name	Pin Function(Mobile SDRAM)
CLK	System Clock
CKE	Clock Enable
/CS	Chip Select
/RAS	Row Address Strobe
/CAS	Column Address Strobe
/WE _d	Write Enable
A0 ~ A12	Address Input
BA0 ~ BA1	Bank Address Input
LDQM	Lower Input/Output Data Mask
UDQM	Upper Input/Output Data Mask
DQ0d ~ DQ15d	Data Input/Output
Vdd	Power Supply
Vddq	Data Out Power
Vss	Ground
Vssq	DQ Ground

Pin Name	Pin Function(NAND Flash)
/CE	Chip Enable
/RE	Read Enable
/WP	Write Protection
/WE	Write Enable
ALE	Address Latch Enable
CLE	Command Latch Enable
R \bar{B}	Ready/Busy Output
IO0 ~ IO7	Data Input/Output
Vcc	Power Supply
Vccq	Data Out Power
Vss	Ground

Pin Name	Pin Function
NC	No Connection
DNU	Do Not Use

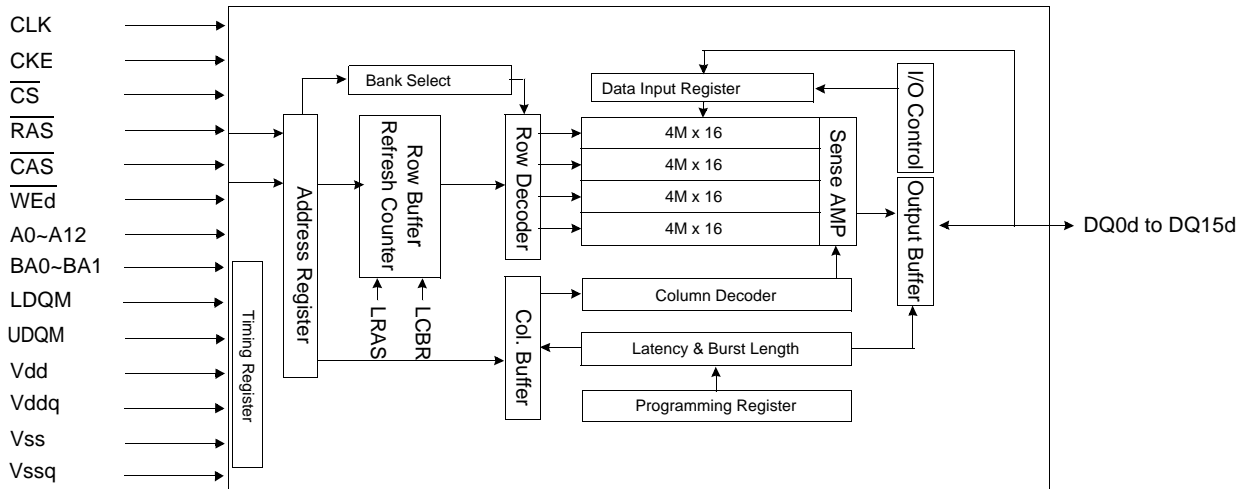
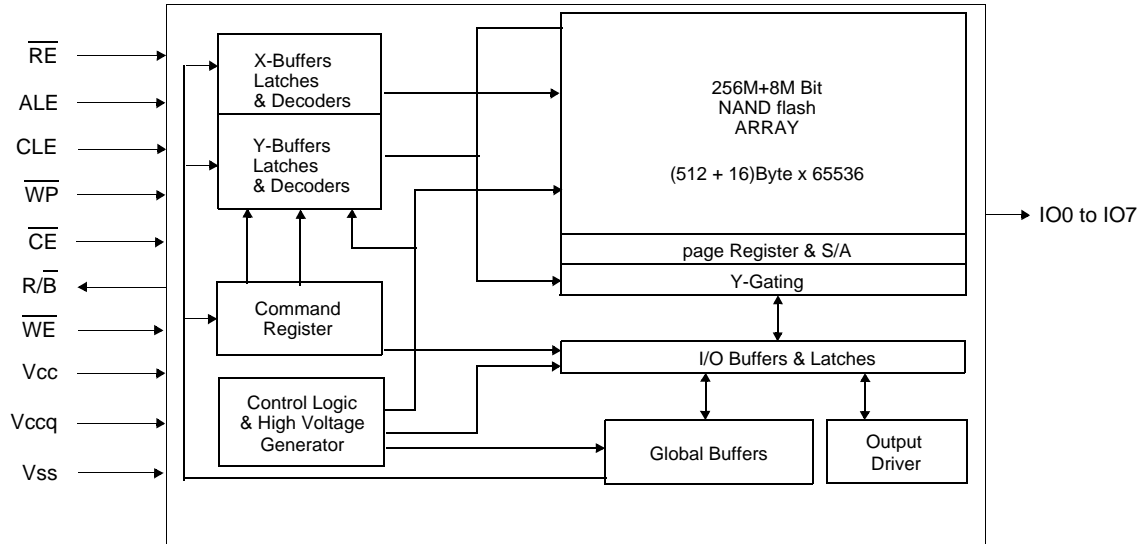
ORDERING INFORMATION



NOTE :

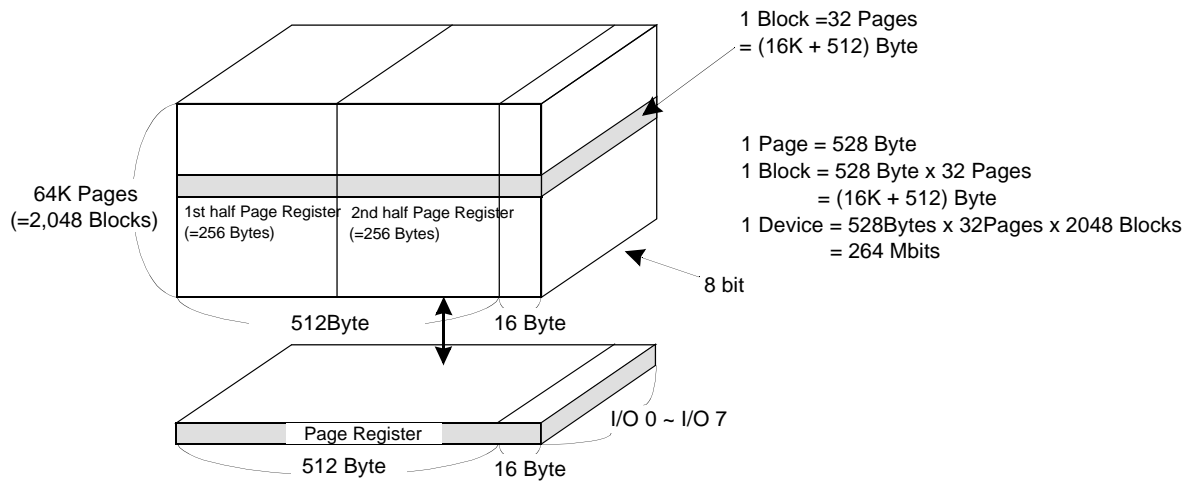
1. Samsung are not designed or manufactured for use in a device or system that is used under circumstance in which human life is potentially at stake. Please contact to the memory marketing team in samsung electronics when considering the use of a product contained herein for any specific purpose, such as medical, aerospace, nuclear, military, vehicular or undersea repeater use.

FUNCTIONAL BLOCK DIAGRAM



256Mb(32M x 8)
NAND Flash C-Die

Figure 1. NAND Flash(x8) ARRAY ORGANIZATION



	I/O 0	I/O 1	I/O 2	I/O 3	I/O 4	I/O 5	I/O 6	I/O 7	Column Address
1st Cycle	A ₀	A ₁	A ₂	A ₃	A ₄	A ₅	A ₆	A ₇	Row Address
2nd Cycle	A ₉	A ₁₀	A ₁₁	A ₁₂	A ₁₃	A ₁₄	A ₁₅	A ₁₆	(Page Address)
3rd Cycle	A ₁₇	A ₁₈	A ₁₉	A ₂₀	A ₂₁	A ₂₂	A ₂₃	A ₂₄	

- NOTE:**
1. Column Address : Starting Address of the Register.
 2. 00h Command(Read) : Defines the starting address of the 1st half of the register.
 3. 01h Command(Read) : Defines the starting address of the 2nd half of the register.
 4. A₈ is set to "Low" or "High" by the 00h or 01h Command.
 5. The device ignores any additional input of address cycles than required.

PRODUCT INTRODUCTION

This device is a 264Mbit(276,824,064 bit) memory organized as 65,536 rows(pages) by 528 columns. Spare eight columns are located from column address of 512~527. A 528-byte data register is connected to memory cell arrays accommodating data transfer between the I/O buffers and memory during page read and page program operations. The memory array is made up of 16 cells that are serially connected to form a NAND structure. Each of the 16 cells resides in a different page. A block consists of the 32 pages formed by two NAND structures, totaling 8448 NAND structures of 16 cells. The array organization is shown in Figure1. The program and read operations are executed on a page basis, while the erase operation is executed on a block basis. The memory array consists of 2048 separately erasable 16K-Byte blocks. It indicates that the bit by bit erase operation is prohibited on this device.

This device has addresses multiplexed into 8 I/O's. This device allows sixteen bit wide data transport into and out of page registers. This scheme dramatically reduces pin counts while providing high performance and allows systems upgrades to future densities by maintaining consistency in system board design. Command, address and data are all written through I/O's by bringing WE to low while CE is low. Data is latched on the rising edge of WE. Command Latch Enable(CLE) and Address Latch Enable(ALE) are used to multiplex command and address respectively, via the I/O pins. Some commands require one bus cycle. For example, Reset command, Read command, Status Read command, etc require just one cycle bus. Some other commands like Page Program and Copy-back Program and Block Erase, require two cycles: one cycle for setup and the other cycle for execution. The 32M-byte physical space requires 24 addresses, thereby requiring three cycles for word-level addressing: column address, low row address and high row address, in that order. Page Read and Page Program need the same three address cycles following the required command input. In Block Erase operation, however, only the two row address cycles are used. Device operations are selected by writing specific commands into the command register. Table 1 defines the specific commands of this device.

The device includes one block sized OTP(One Time Programmable), which can be used to increase system security or to provide identification capabilities. Detailed information can be obtained by contact with Samsung.

Table 1. COMMAND SETS

Function	1st. Cycle	2nd. Cycle	Acceptable Command during Busy
Read 1	00h/01h	-	
Read 2	50h	-	
Read ID	90h	-	
Reset	FFh	-	O
Page Program	80h	10h	
Copy-Back Program	00h	8Ah	
Read Block Lock Status	7Ah		
Block Erase	60h	D0h	
Read Status	70h	-	O

Caution : Any undefined command inputs are prohibited except for above command set of Table 1.

ABSOLUTE MAXIMUM RATINGS

Parameter	Symbol	Rating	Unit
Voltage on any pin relative to Vss	V _{IN/OUT}	-0.6 to + 4.6	V
	V _{CC}	-0.6 to + 4.6	
	V _{CCQ}	-0.6 to + 4.6	
Temperature Under Bias	T _{BIAS}	-40 to +125	°C
Storage Temperature	T _{STG}	-65 to +150	°C
Short Circuit Current	I _{OS}	5	mA

NOTE :

- Minimum DC voltage is -0.6V on input/output pins. During transitions, this level may undershoot to -2.0V for periods <30ns. Maximum DC voltage on input/output pins is V_{CC}+0.3V which, during transitions, may overshoot to V_{CC}+2.0V for periods <20ns.
- Permanent device damage may occur if ABSOLUTE MAXIMUM RATINGS are exceeded. Functional operation should be restricted to the conditions as detailed in the operational sections of this data sheet. Exposure to absolute maximum rating conditions for extended periods may affect reliability.

RECOMMENDED OPERATING CONDITIONS

Parameter	Symbol	Min	Typ.	Max	Unit
Supply Voltage	V _{CC}	2.4	2.65	2.9	V
Supply Voltage	V _{CCQ}	2.4	2.65	2.9	V
Supply Voltage	V _{SS}	0	0	0	V

DC AND OPERATING CHARACTERISTICS (Recommended operating conditions otherwise noted.)

Parameter		Symbol	Test Conditions	Min	Typ	Max	Unit	
Operating Current	Sequential Read	I _{CC1}	t _{RC} =50ns, $\overline{CE}=V_{IL}$ I _{OUT} =0mA	-	10	20	mA	
	Program	I _{CC2}	-	-	10	25		
	Erase	I _{CC3}	-	-	10	25		
Stand-by Current(TTL)		I _{SB1}	$\overline{CE}=V_{IH}$, $\overline{WP}=0V/V_{CC}$	-	-	1	μA	
Stand-by Current(CMOS)		I _{SB2}	$\overline{CE}=V_{CC}-0.2$, $\overline{WP}=0V/V_{CC}$	-	10	50		
Input Leakage Current		I _{LI}	V _{IN} =0 to V _{CC} (max)	-	-	±10		
Output Leakage Current		I _{LO}	V _{OUT} =0 to V _{CC} (max)	-	-	±10	V	
Input High Voltage		V _{IH}	I/O pins	V _{CCQ} -0.4	-	V _{CCQ} +0.3		
			Except I/O pins	V _{CC} -0.4	-	V _{CC} +0.3		
Input Low Voltage, All inputs		V _{IL}	-	-0.3	-	0.5		
Output High Voltage Level		V _{OH}	I _{OH} =-100μA	V _{CCQ} -0.4	-	-		
Output Low Voltage Level		V _{OL}	I _{OL} =100μA	-	-	0.4		
Output Low Current(R/B)		I _{OL} (R/B)	V _{OL} =0.1V	3	4	-		mA

VALID BLOCK

Parameter	Symbol	Min	Typ.	Max	Unit
Valid Block Number	NvB	2013	-	2048	Blocks

NOTE :

1. This device may include invalid blocks when first shipped. Additional invalid blocks may develop while being used. The number of valid blocks is presented with both cases of invalid blocks considered. Invalid blocks are defined as blocks that contain one or more bad bits. Do not erase or program factory-marked bad blocks. Refer to the attached technical notes for a appropriate management of invalid blocks.
2. The 1st block, which is placed on 00h block address, is fully guaranteed to be a valid block, does not require Error Correction.
3. The 2nd and 3rd blocks are good upon shipping.

AC TEST CONDITION

(Vcc=2.4V~2.9V , TA=-40 to 85°C)

Parameter	Value
Input Pulse Levels	0V to VccQ
Input Rise and Fall Times	5ns
Input and Output Timing Levels	VccQ/2
Output Load (VccQ:2.65V +/-10%)	1 TTL GATE and CL=30pF

CAPACITANCE(TA=25°C, VCC=2.65V , f=1.0MHz)

Item	Symbol	Test Condition	Min	Max	Unit
Input/Output Capacitance	C _{I/O}	V _{IL} =0V	-	10	pF
Input Capacitance	C _{IN}	V _{IN} =0V	-	10	pF

NOTE : Capacitance is periodically sampled and not 100% tested.

MODE SELECTION

CLE	ALE	CE	WE	RE	PRE	WP	Mode	
H	L	L		H	X	X	Read Mode	Command Input
L	H	L		H	X	X		Address Input(3clock)
H	L	L		H	X	H	Write Mode	Command Input
L	H	L		H	X	H		Address Input(3clock)
L	L	L		H	X	H	Data Input	
L	L	L	H		X	X	Data Output	
X	X	X	X	X	X	H	During Program(Busy)	
X	X	X	X	X	X	H	During Erase(Busy)	
X	X ⁽¹⁾	X	X	X	X	L	Write Protect	
X	X	H	X	X	0V/Vcc ⁽²⁾	0V/Vcc ⁽²⁾	Stand-by	

NOTE : 1. X can be V_{IL} or V_{IH}.

2. WP should be biased to CMOS high or CMOS low for standby.

Program/Erase Characteristics

Parameter	Symbol	Min	Typ	Max	Unit
Program Time	t _{PROG}	-	200	500	μs
Dummy Busy Time for the Lock or Lock-tight Block	t _{LBSY}	-	5	10	μs
Number of Partial Program Cycles in the Same Page	Main Array	-	-	2	cycles
	Spare Array	-	-	3	cycles
Block Erase Time	t _{BERS}	-	2	3	ms

AC Timing Characteristics for Command / Address / Data Input

Parameter	Symbol	Min	Max	Unit
CLE Set-up Time	tCLS	0	-	ns
CLE Hold Time	tCLH	10	-	ns
$\overline{\text{CE}}$ Setup Time	tCS	0	.-	ns
$\overline{\text{CE}}$ Hold Time	tCH	10	-	ns
WE Pulse Width	tWP	25 ⁽¹⁾	-	ns
ALE Setup Time	tALS	0	-	ns
ALE Hold Time	tALH	10	-	ns
Data Setup Time	tDS	20	-	ns
Data Hold Time	tDH	10	-	ns
Write Cycle Time	tWC	45	-	ns
$\overline{\text{WE}}$ High Hold Time	tWH	15	-	ns

NOTE :

1. If tcs is set less than 10ns, tWP must be minimum 35ns, otherwise, tWP may be minimum 25ns.

AC Characteristics for Operation

Parameter	Symbol	Min	Max	Unit
Data Transfer from Cell to Register	tR	-	10	μs
ALE to $\overline{\text{RE}}$ Delay	tAR	10	-	ns
CLE to $\overline{\text{RE}}$ Delay	tCLR	10	-	ns
Ready to $\overline{\text{RE}}$ Low	tRR	20	-	ns
$\overline{\text{RE}}$ Pulse Width	tRP	25	-	ns
$\overline{\text{WE}}$ High to Busy	tWB	-	100	ns
Read Cycle Time	tRC	50	-	ns
$\overline{\text{CE}}$ Access Time	tCEA	-	45	ns
$\overline{\text{RE}}$ Access Time	tREA	-	30	ns
$\overline{\text{RE}}$ High to Output Hi-Z	tRHZ	-	30	ns
$\overline{\text{CE}}$ High to Output Hi-Z	tCHZ	-	20	ns
$\overline{\text{RE}}$ or $\overline{\text{CE}}$ High to Output hold	tOH	15	-	ns
$\overline{\text{RE}}$ High Hold Time	tREH	15	-	ns
Output Hi-Z to $\overline{\text{RE}}$ Low	tIR	0	-	ns
$\overline{\text{WE}}$ High to $\overline{\text{RE}}$ Low	tWHR1	60	-	ns
$\overline{\text{WE}}$ High to $\overline{\text{RE}}$ Low in Block Lock Mode	tWHR2	100	-	ns
Device Resetting Time(Read/Program/Erase)	tRST	-	5/10/500 ⁽¹⁾	μs

NOTE :

1. If reset command(FFh) is written at Ready state, the device goes into Busy for maximum 5us.
2. To break the sequential read cycle, CE must be held high for longer time than tCEH.
3. The time to Ready depends on the value of the pull-up resistor tied R/B pin.

NAND Flash Technical Notes

Invalid Block(s)

Invalid blocks are defined as blocks that contain one or more invalid bits whose reliability is not guaranteed by Samsung. The information regarding the invalid block(s) is so called as the invalid block information. Devices with invalid block(s) have the same quality level as devices with all valid blocks and have the same AC and DC characteristics. An invalid block(s) does not affect the performance of valid block(s) because it is isolated from the bit line and the common source line by a select transistor. The system design must be able to mask out the invalid block(s) via address mapping. The 1st block, which is placed on 00h block address, is fully guaranteed to be a valid block, does not require Error Correction.

Identifying Invalid Block(s)

All device locations are erased(FFh) except locations where the invalid block(s) information is written prior to shipping. The invalid block(s) status is defined by the 6th byte in the spare area. Samsung makes sure that either the 1st or 2nd page of every invalid block has non-FFh data at the column address of 517. Since the invalid block information is also erasable in most cases, it is impossible to recover the information once it has been erased. Therefore, the system must be able to recognize the invalid block(s) based on the original invalid block information and create the invalid block table via the following suggested flow chart(Figure 2). Any intentional erasure of the original invalid block information is prohibited.

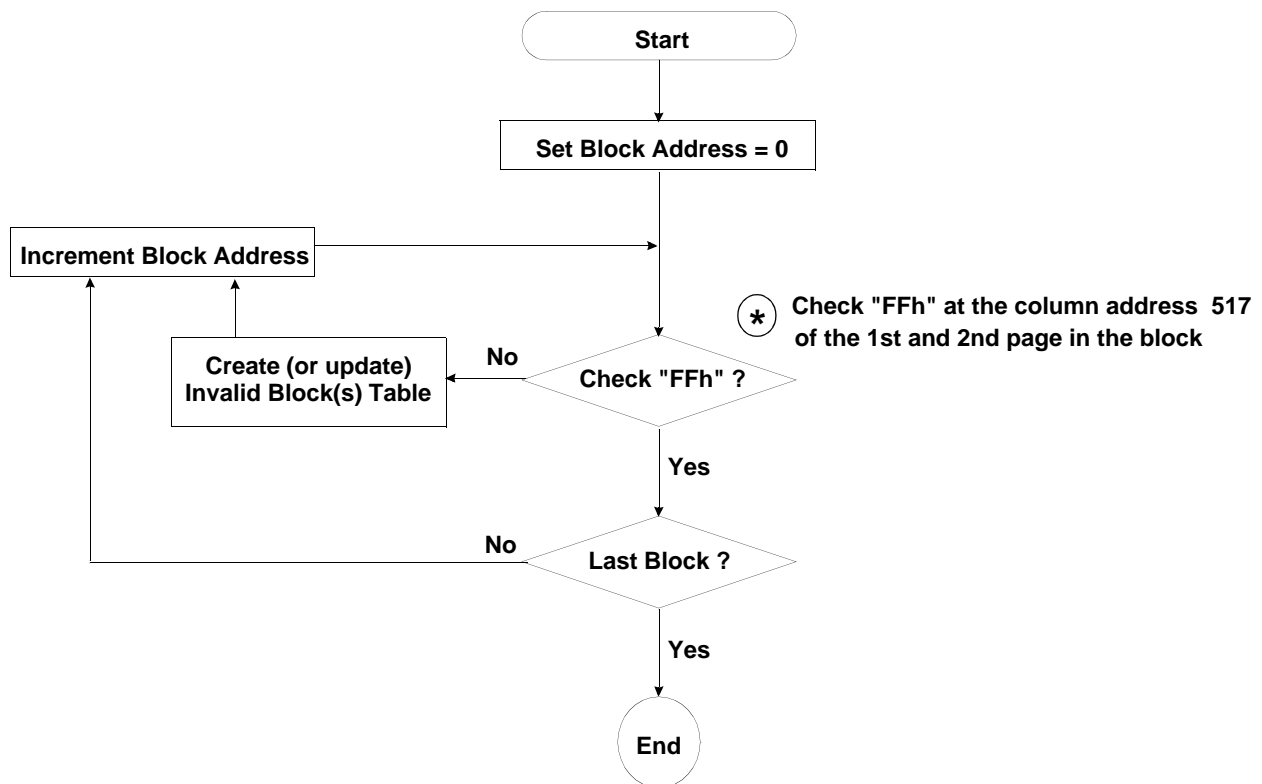


Figure 2. Flow chart to create invalid block table.

NAND Flash Technical Notes(Continued)

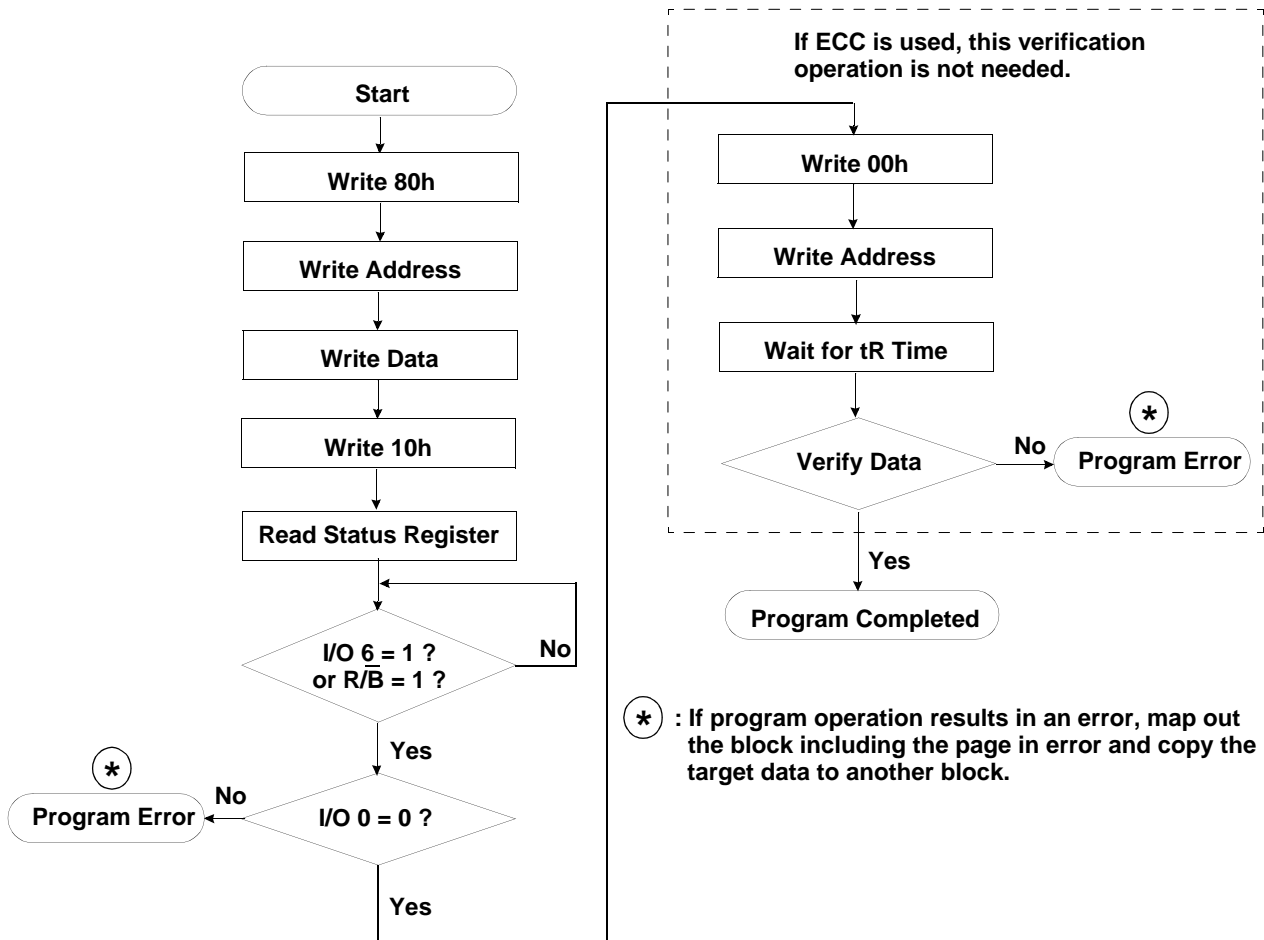
Error in write or read operation

Within its life time, the additional invalid blocks may develop with NAND Flash memory. Refer to the qualification report for the actual data. The following possible failure modes should be considered to implement a highly reliable system. In the case of status read failure after erase or program, block replacement should be done. Because program status fail during a page program does not affect the data of the other pages in the same block, block replacement can be executed with a page-sized buffer by finding an erased empty block and reprogramming the current target data and copying the rest of the replaced block. To improve the efficiency of memory space, it is recommended that the read or verification failure due to single bit error be reclaimed by ECC without any block replacement. The said additional block failure rate does not include those reclaimed blocks.

	Failure Mode	Detection and Countermeasure sequence
Write	Erase Failure	Status Read after Erase --> Block Replacement
	Program Failure	Status Read after Program --> Block Replacement Read back (Verify after Program) --> Block Replacement or ECC Correction
Read	Single Bit Failure	Verify ECC -> ECC Correction

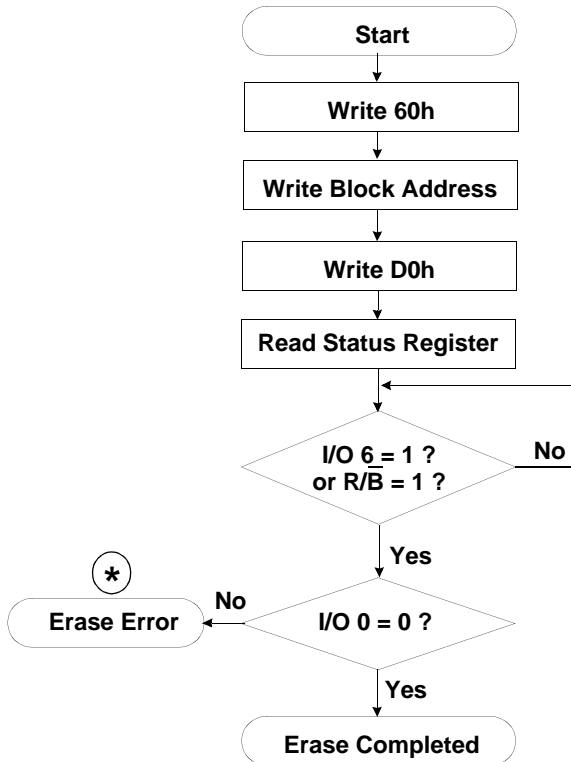
ECC : Error Correcting Code --> Hamming Code etc.
Example) 1bit correction & 2bit detection

Program Flow Chart

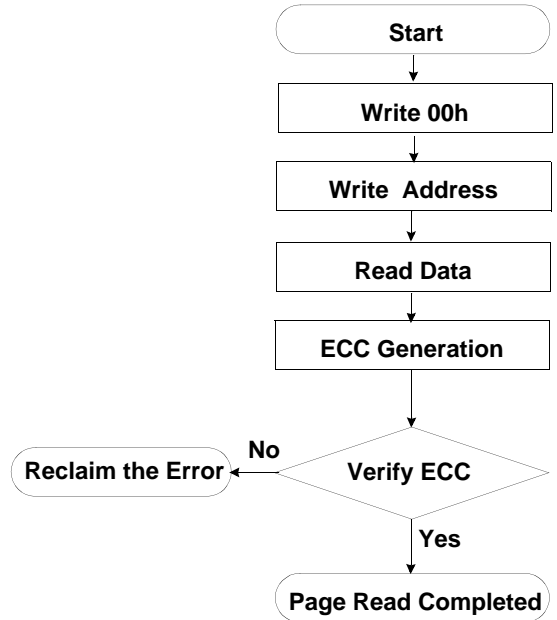


NAND Flash Technical Notes(Continued)

Erase Flow Chart

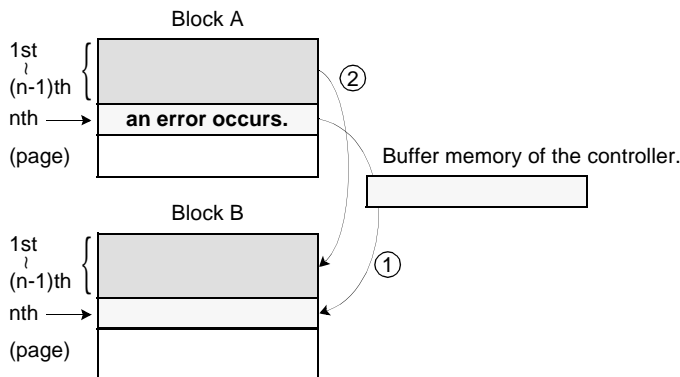


Read Flow Chart



* : If erase operation results in an error, map out the failing block and replace it with another block.

Block Replacement



- * Step1
When an error happens in the nth page of the Block 'A' during erase or program operation.
- * Step2
Copy the nth page data of the Block 'A' in the buffer memory to the nth page of another free block. (Block 'B')
- * Step3
Then, copy the data in the 1st ~ (n-1)th page to the same location of the Block 'B'.
- * Step4
Do not further erase Block 'A' by creating an 'invalid Block' table or other appropriate scheme.

Pointer Operation

Samsung NAND Flash has three address pointer commands as a substitute for the two most significant column addresses. '00h' command sets the pointer to 'A' area(0~255byte), '01h' command sets the pointer to 'B' area(256~511byte), and '50h' command sets the pointer to 'C' area(512~527byte). With these commands, the starting column address can be set to any of a whole page(0~527byte). '00h' or '50h' is sustained until another address pointer command is inputted. '01h' command, however, is effective only for one operation. After any operation of Read, Program, Erase, Reset, Power_Up is executed once with '01h' command, the address pointer returns to 'A' area by itself. To program data starting from 'A' or 'C' area, '00h' or '50h' command must be inputted before '80h' command is written. A complete read operation prior to '80h' command is not necessary. To program data starting from 'B' area, '01h' command must be inputted right before '80h' command is written.

Table 2. Destination of the pointer

Command	Pointer position	Area
00h	0 ~ 255 byte	1st half array(A)
01h	256 ~ 511 byte	2nd half array(B)
50h	512 ~ 527 byte	spare array(C)

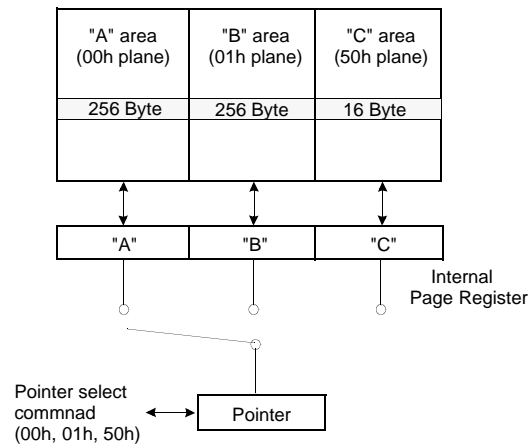
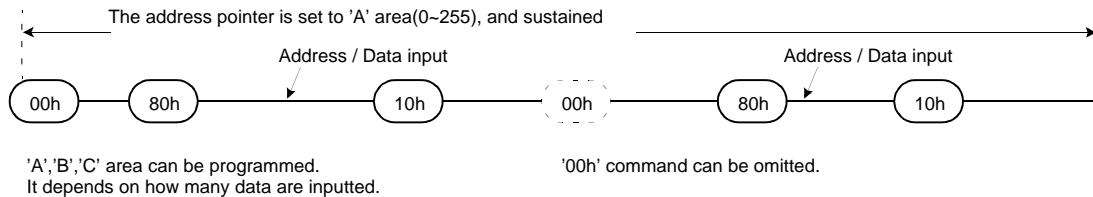
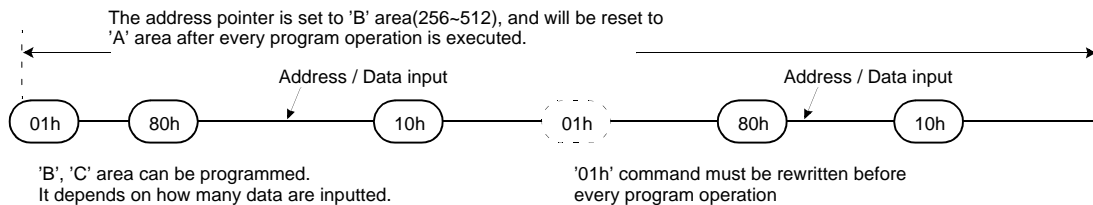


Figure 3. Block Diagram of Pointer Operation

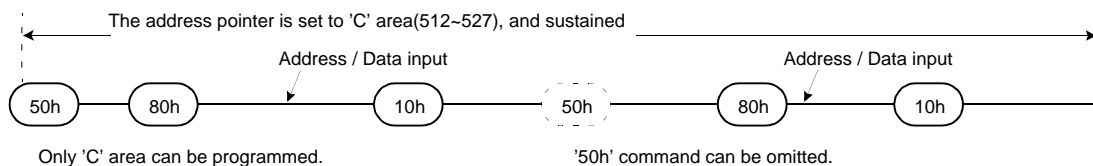
(1) Command input sequence for programming 'A' area



(2) Command input sequence for programming 'B' area



(3) Command input sequence for programming 'C' area



System Interface Using $\overline{\text{CE}}$ don't-care.

For an easier system interface, $\overline{\text{CE}}$ may be inactive during the data-loading or sequential data-reading as shown below. The internal 528byte page registers are utilized as separate buffers for this operation and the system design gets more flexible. In addition, for voice or audio applications which use slow cycle time on the order of u-seconds, de-activating $\overline{\text{CE}}$ during the data-loading and reading would provide significant savings in power consumption.

Figure 4. Program Operation with $\overline{\text{CE}}$ don't-care.

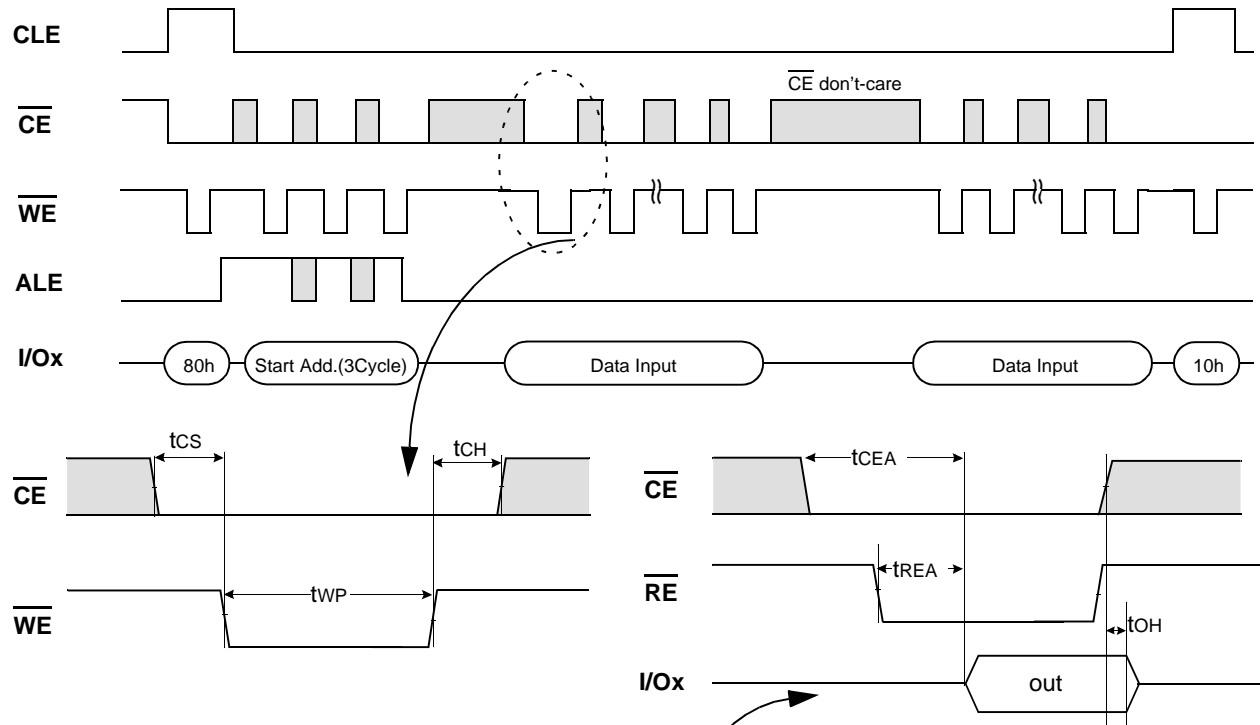
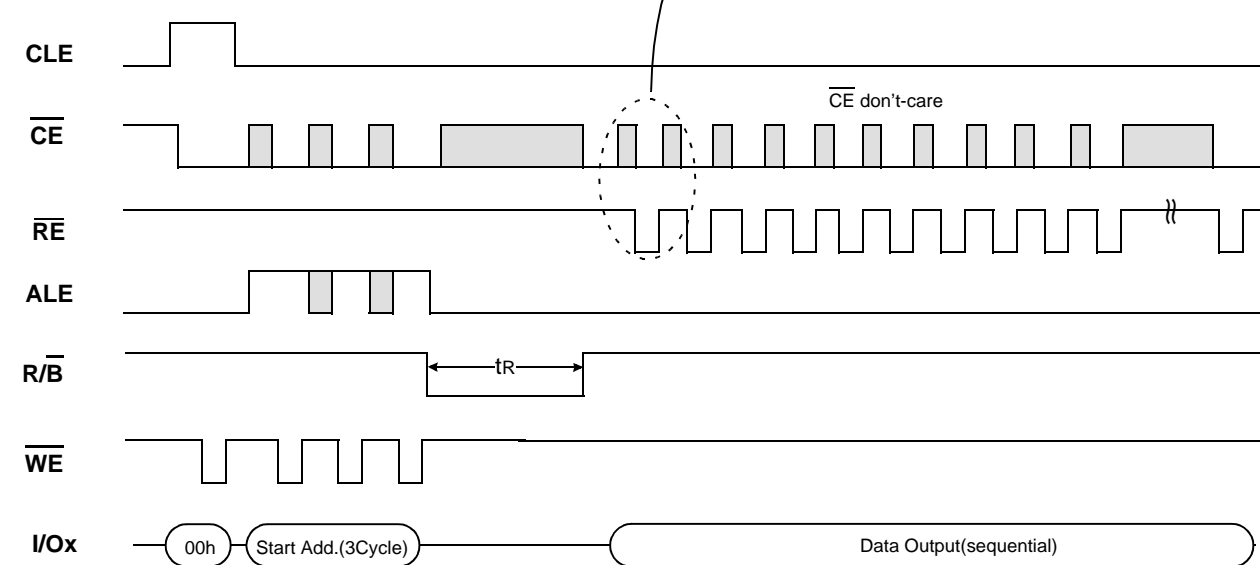
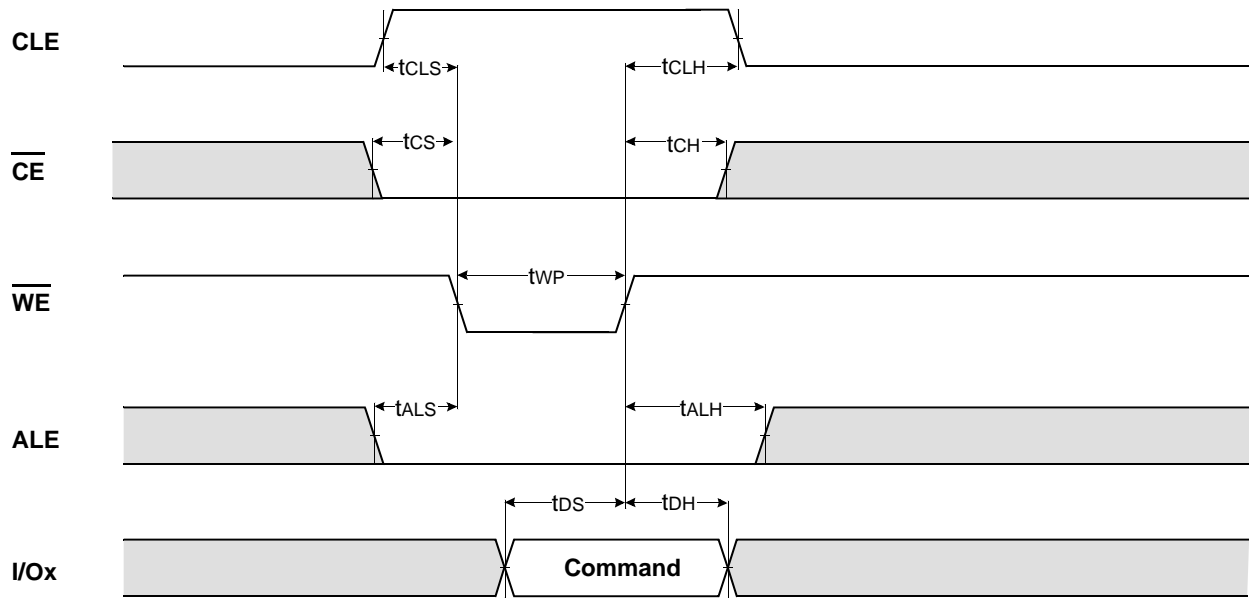


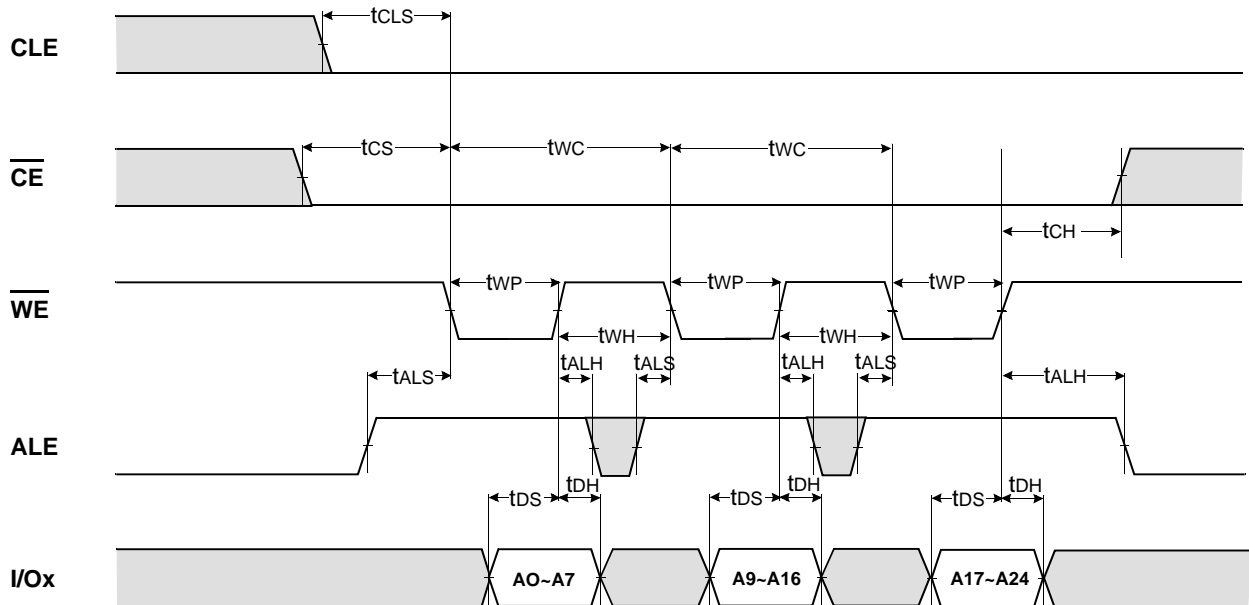
Figure 5. Read Operation with $\overline{\text{CE}}$ don't-care.



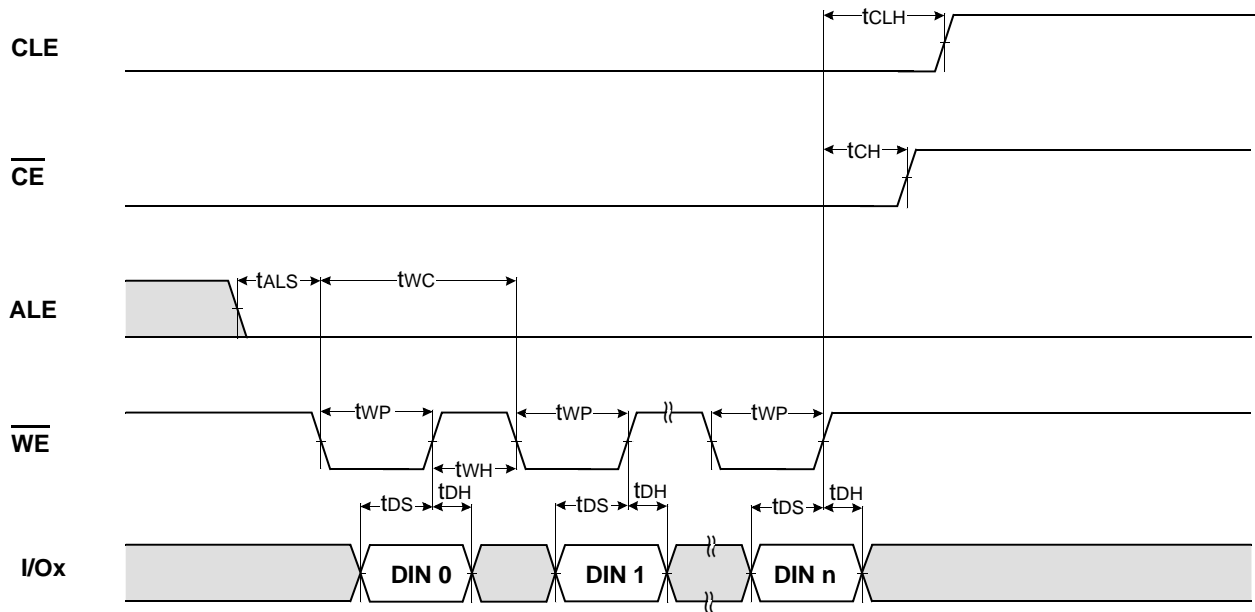
Command Latch Cycle



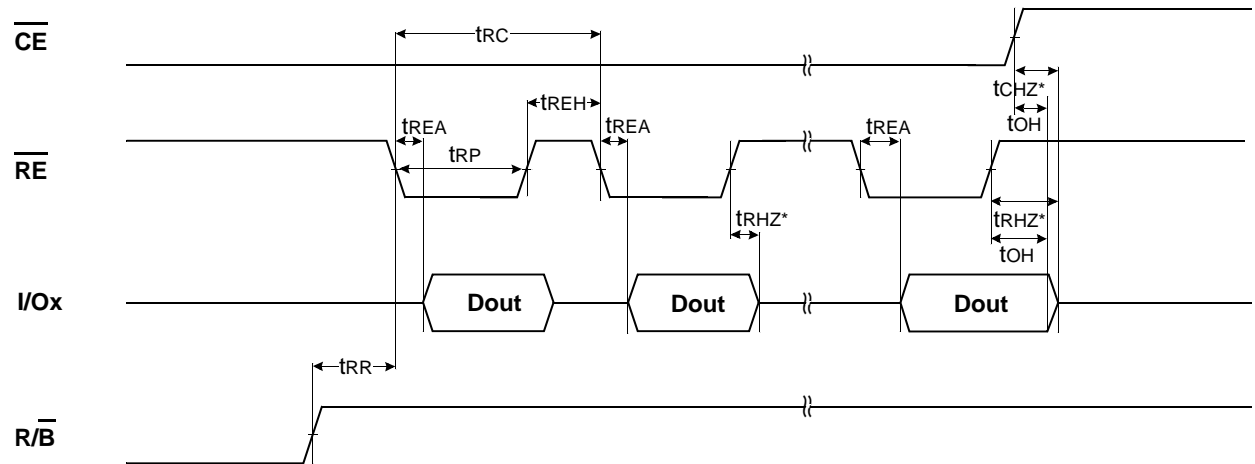
Address Latch Cycle



Input Data Latch Cycle



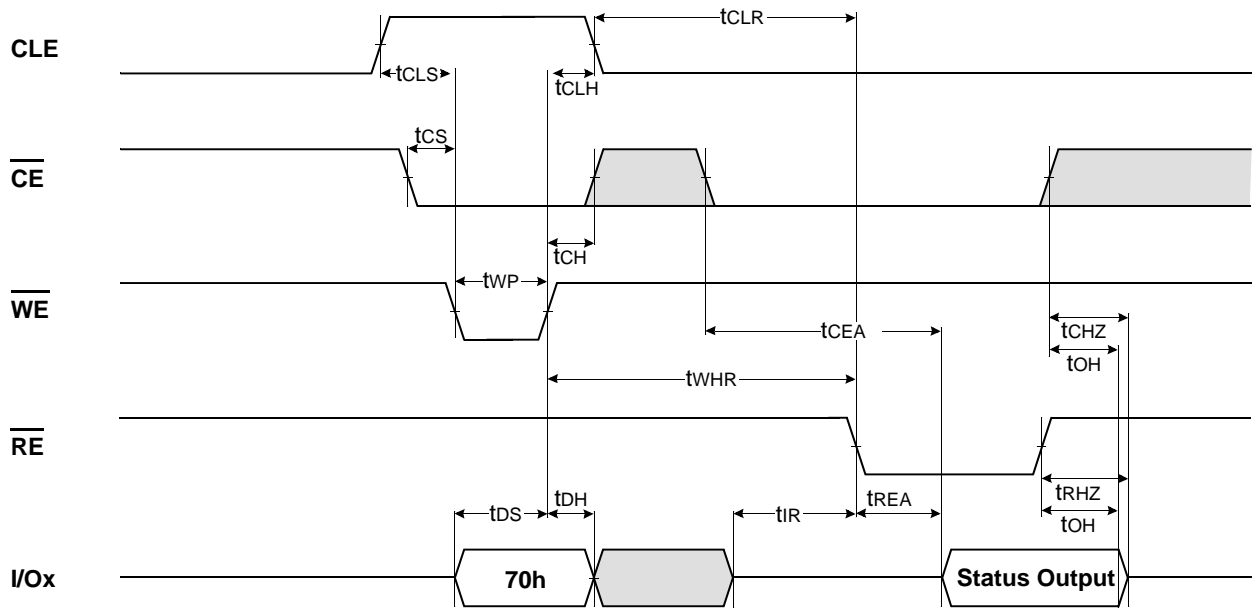
Sequential Out Cycle after Read (CLE=L, WE=H, ALE=L)



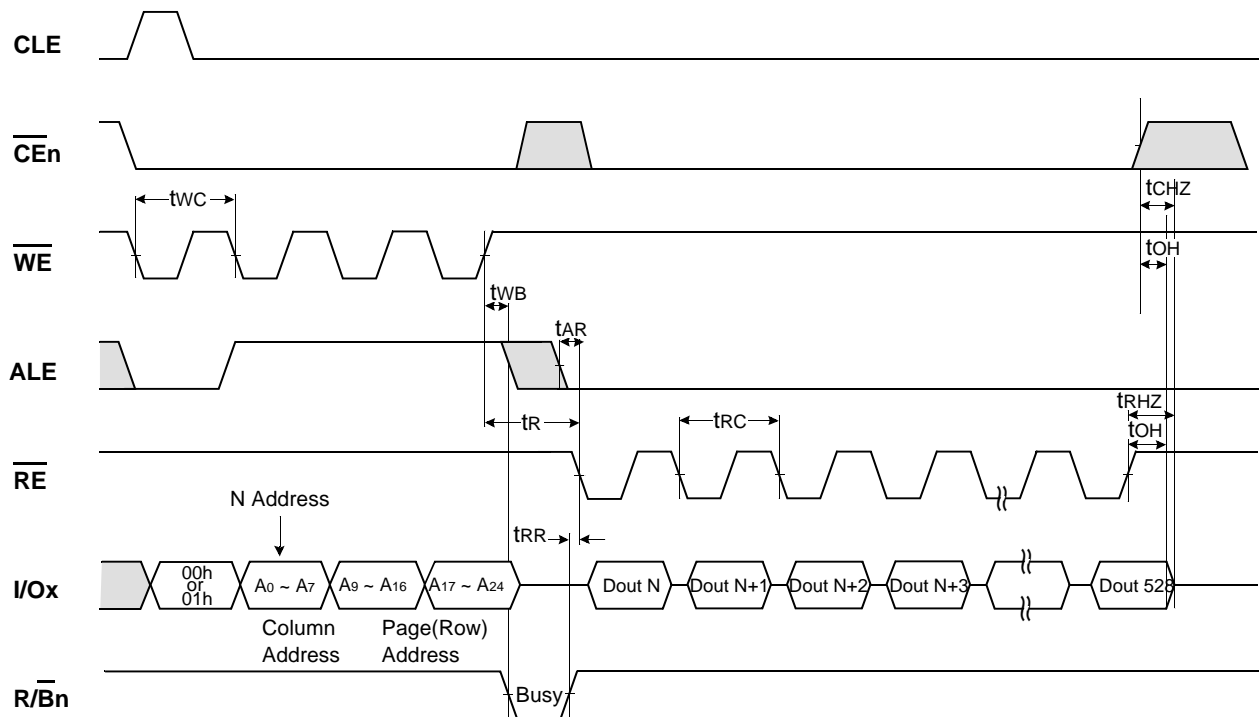
NOTE :

1. Transition is measured $\pm 200\text{mV}$ from steady state voltage with load.
2. This parameter is sampled and not 100% tested.

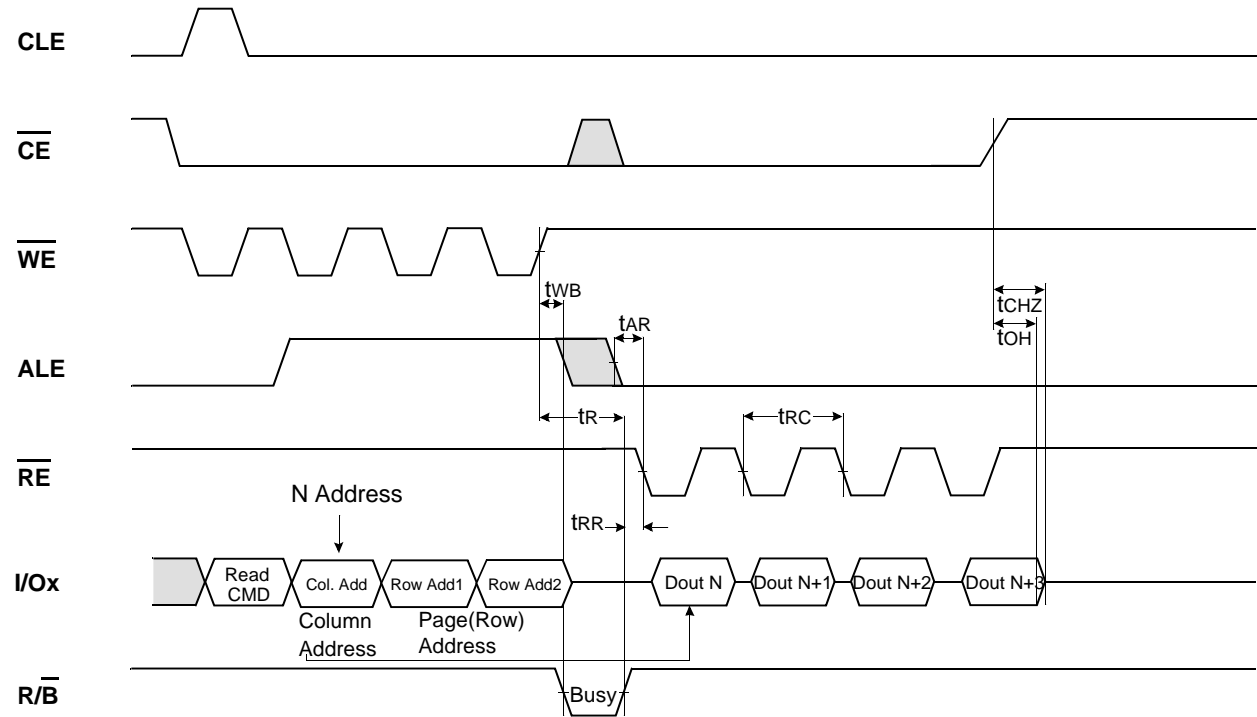
Status Read Cycle



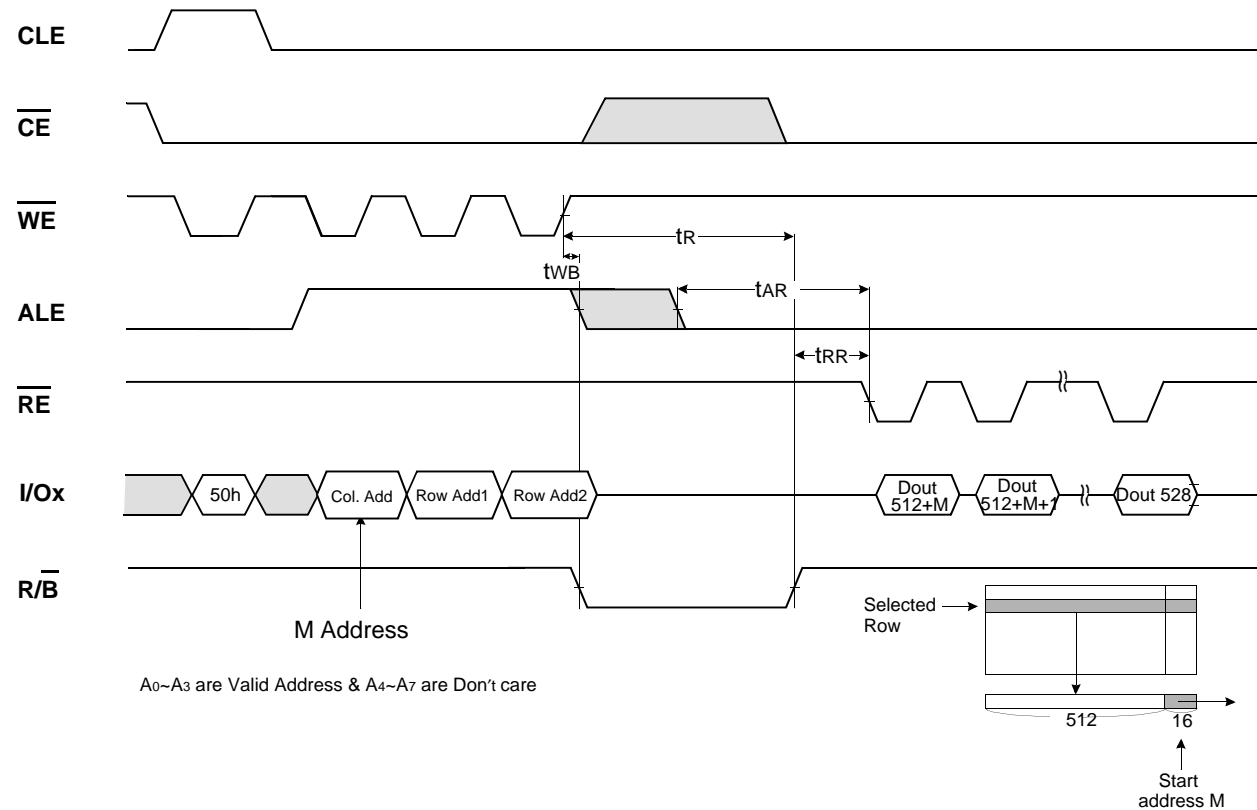
READ1 OPERATION (READ ONE PAGE)



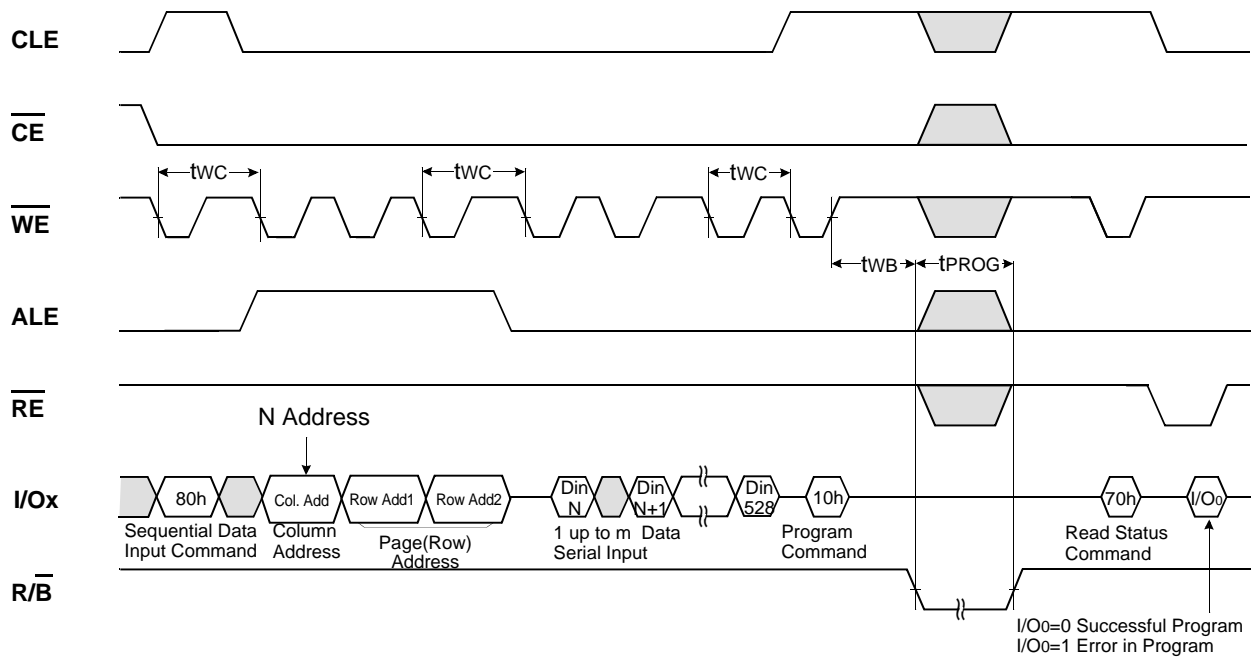
READ1 OPERATION (INTERCEPTED BY \overline{CE})



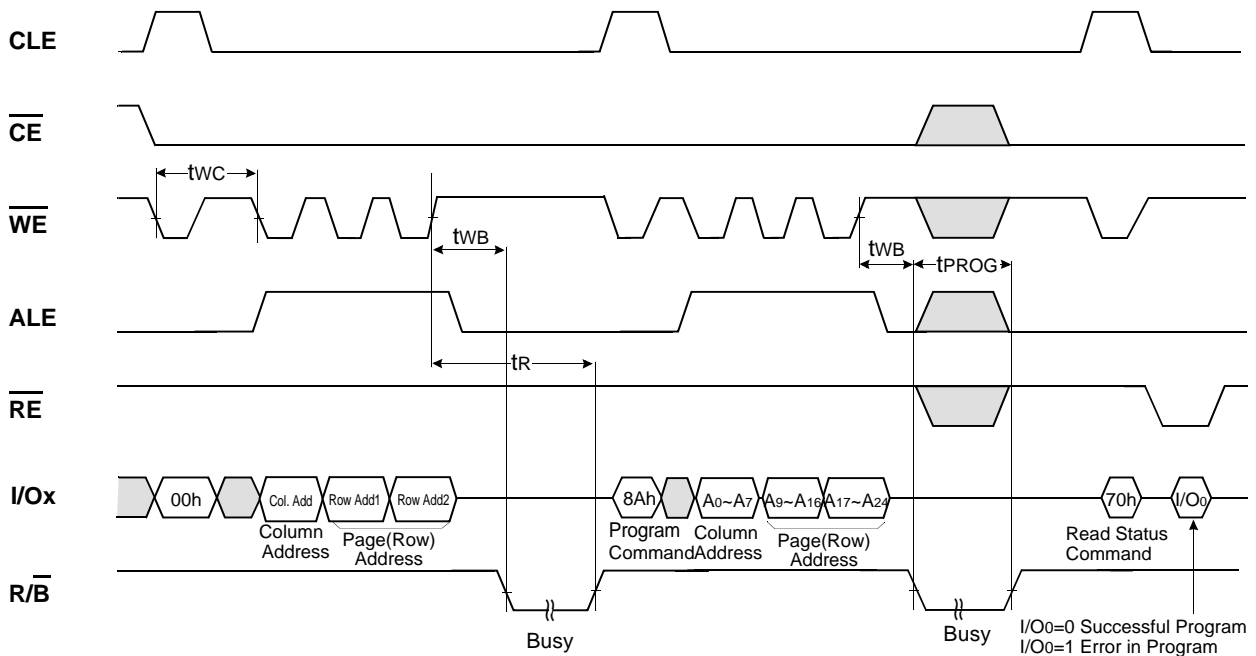
READ2 OPERATION (READ ONE PAGE)



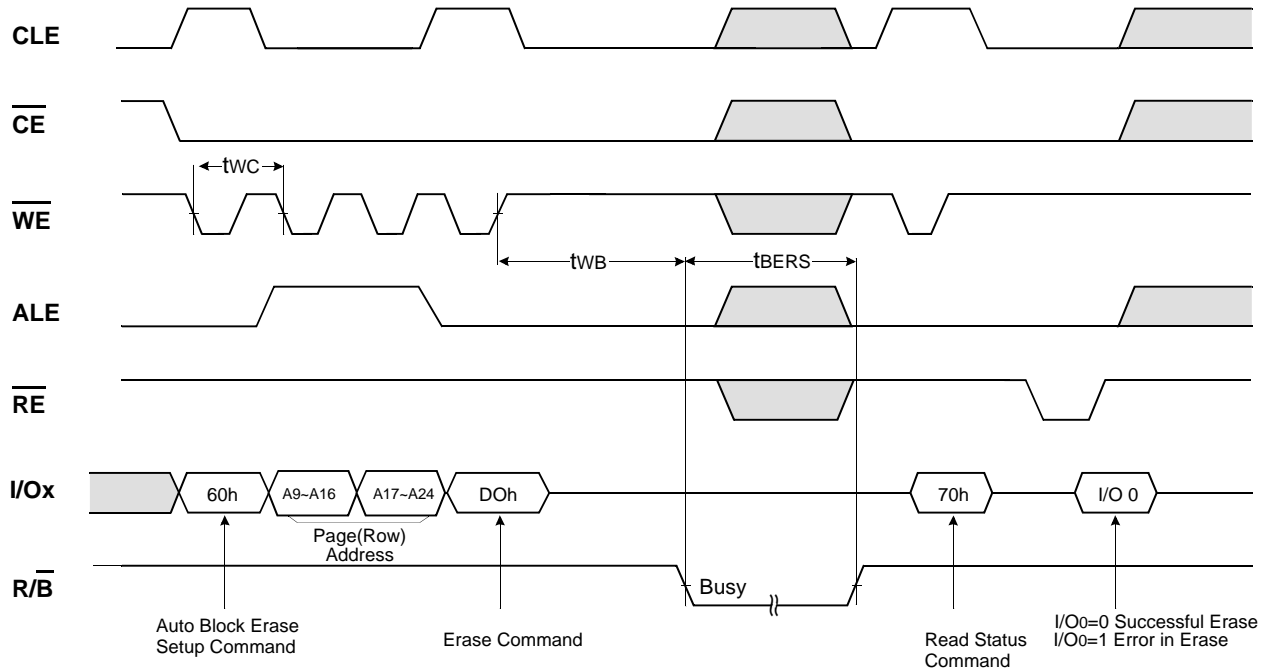
PAGE PROGRAM OPERATION



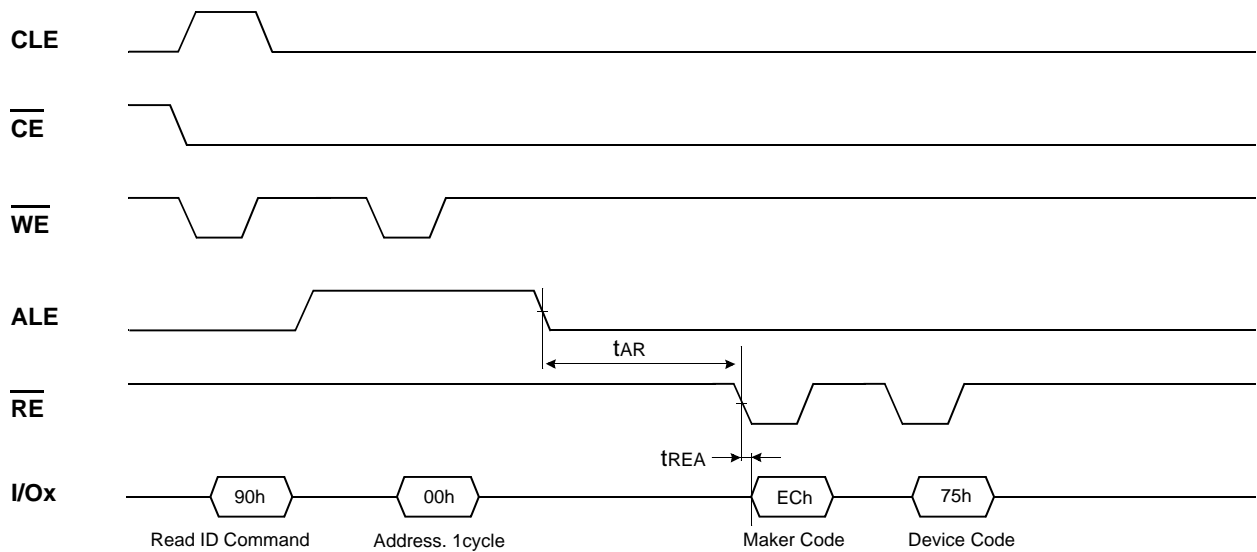
COPY-BACK PROGRAM OPERATION



BLOCK ERASE OPERATION (ERASE ONE BLOCK)



MANUFACTURE & DEVICE ID READ OPERATION



DEVICE OPERATION

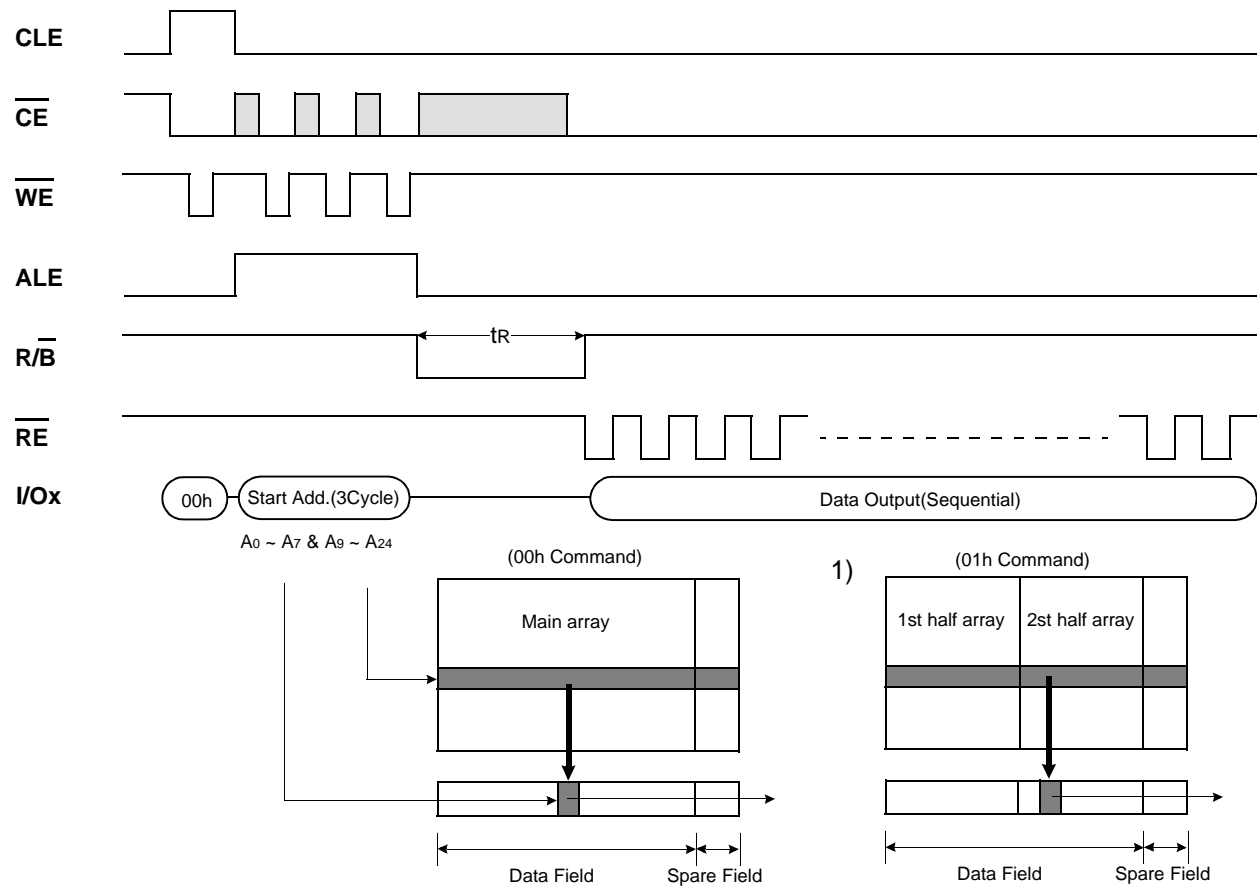
PAGE READ

Upon initial device power up, the device defaults to Read1 mode. This operation is also initiated by writing 00h to the command register along with three address cycles. Once the command is latched, it does not need to be written for the following page read operation. Two types of operations are available : random read, serial page read.

The random read mode is enabled when the page address is changed. The 528 bytes of data within the selected page are transferred to the data registers in less than 10µs(t_R). The system controller can detect the completion of this data transfer(t_R) by analyzing the output of R/B pin. Once the data in a page is loaded into the registers, they may be read out in 50ns cycle time by sequentially pulsing RE. High to low transitions of the RE clock output the data starting from the selected column address up to the last column address[column 511/ 527 depending on the state of GND input pin].

The way the Read1 and Read2 commands work is like a pointer set to either the main area or the spare area. The spare area of 512 ~527 bytes may be selectively accessed by writing the Read2 command with GND input pin low. Addresses A0-A3 set the starting address of the spare area while addresses A4-A7 are ignored in X8 device case. The Read1 command is needed to move the pointer back to the main area. Figures6,7 show typical sequence and timings for each read operation.

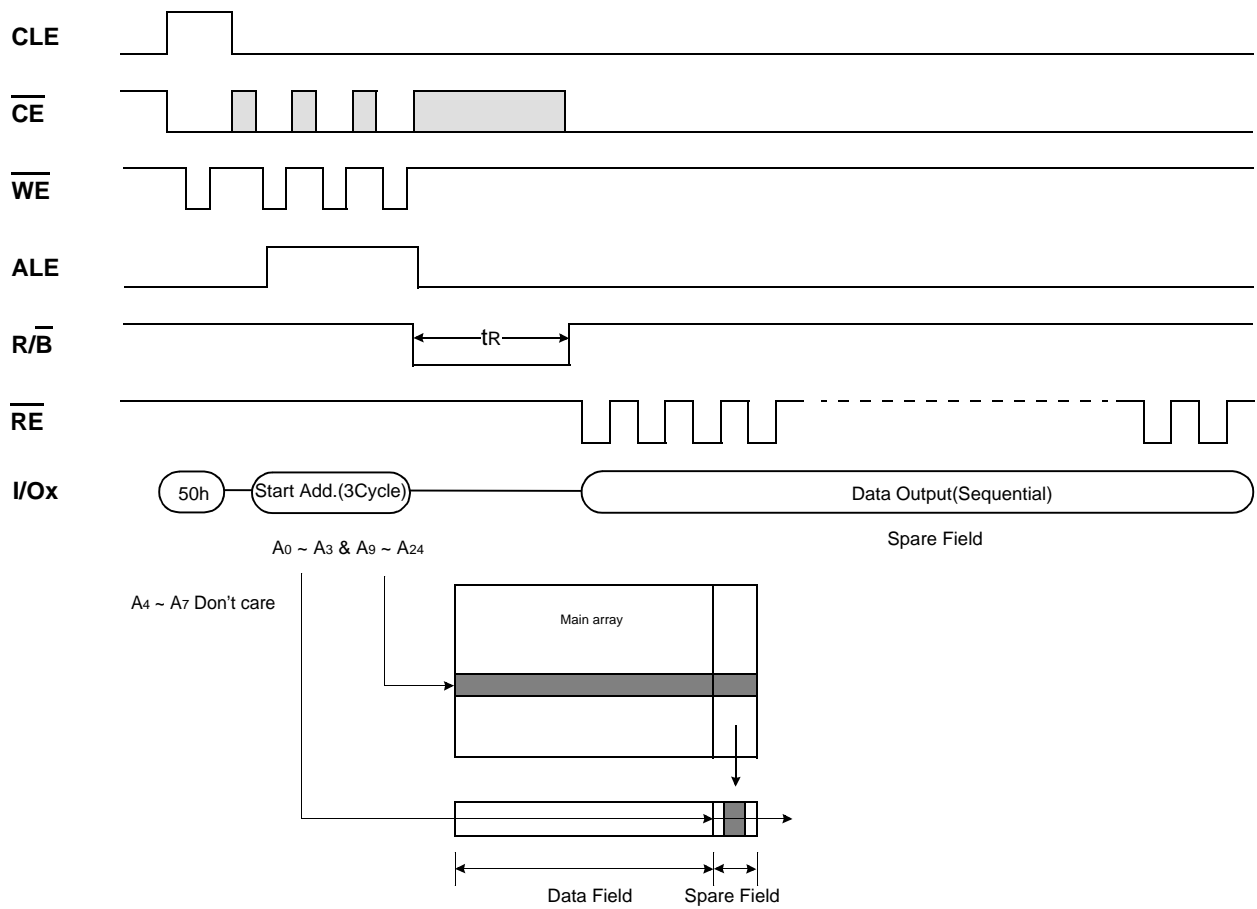
Figure 6. Read1 Operation



NOTE :

1. After data access on 2nd half array by 01h command, the start pointer is automatically moved to 1st half array (00h) at next cycle.

Figure 7. Read2 Operation

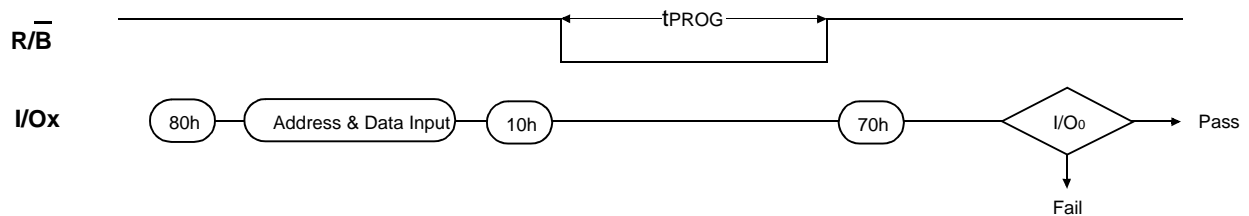


PAGE PROGRAM

The device is programmed basically on a page basis, but it does allow multiple partial page programming of a byte or consecutive bytes up to 528, in a single page program cycle. The number of consecutive partial page programming operation within the same page without an intervening erase operation should not exceed 2 for main array and 3 for spare array. The addressing may be done in any random order in a block. A page program cycle consists of a serial data loading period in which up to 528 bytes of data may be loaded into the page register, followed by a non-volatile programming period where the loaded data is programmed into the appropriate cell. About the pointer operation, please refer to the attached technical notes.

The serial data loading period begins by inputting the Serial Data Input command(80h), followed by the three cycle address input and then serial data loading. The words other than those to be programmed do not need to be loaded. The Page Program confirm command(10h) initiates the programming process. Writing 10h alone without previously entering the serial data will not initiate the programming process. The internal write controller automatically executes the algorithms and timings necessary for program and verify, thereby freeing the system controller for other tasks. Once the program process starts, the Read Status Register command may be entered, with \overline{RE} and \overline{CE} low, to read the status register. The system controller can detect the completion of a program cycle by monitoring the R/B output, or the Status bit(I/O 6) of the Status Register. Only the Read Status command and Reset command are valid while programming is in progress. When the Page Program is complete, the Write Status Bit(I/O 0) may be checked(Figure 8). The internal write verify detects only errors for "1"s that are not successfully programmed to "0"s. The command register remains in Read Status command mode until another valid command is written to the command register.

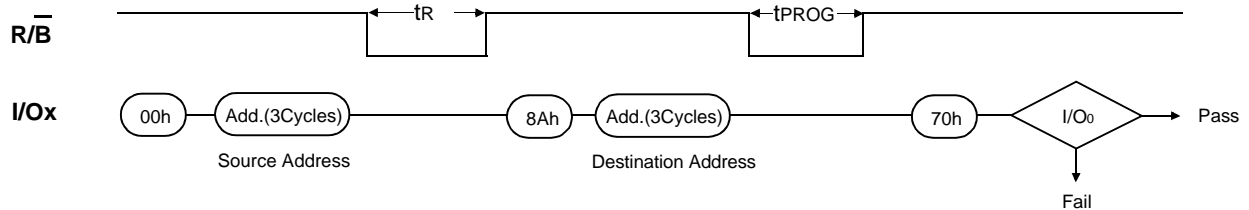
Figure 8. Program Operation



COPY-BACK PROGRAM

The copy-back program is configured to quickly and efficiently rewrite data stored in one page within the array to another page within the same array without utilizing an external memory. Since the time-consuming sequentially-reading and its re-loading cycles are removed, the system performance is improved. The benefit is especially obvious when a portion of a block is updated and the rest of the block also need to be copied to the newly assigned free block. The operation for performing a copy-back is a sequential execution of page-read without burst-reading cycle and copying-program with the address of destination page. A normal read operation with "00h" command with the address of the source page moves the whole 528bytes data into the internal buffer. As soon as the Flash returns to Ready state, copy-back programming command "8Ah" may be given with three address cycles of target page followed. The data stored in the internal buffer is then programmed directly into the memory cells of the destination page. Once the Copy-Back Program is finished, any additional partial page programming into the copied pages is prohibited before erase. Since the memory array is internally partitioned into two different planes, copy-back program is allowed only within the same memory plane. Thus, A14, the plane address, of source and destination page address must be the same.

Figure 9. Copy-Back Program Operation

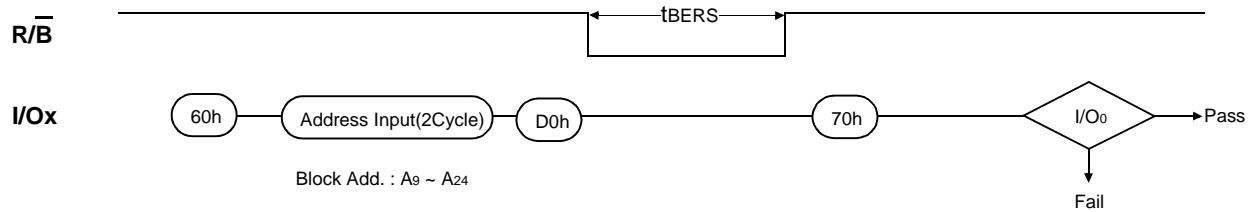


BLOCK ERASE

The Erase operation is done on a block basis. Block address loading is accomplished in two cycles initiated by an Erase Setup command(60h). Only address A14 to A24 is valid while A9 to A13 is ignored. The Erase Confirm command(D0h) following the block address loading initiates the internal erasing process. This two-step sequence of setup followed by execution command ensures that memory contents are not accidentally erased due to external noise conditions.

At the rising edge of WE after the erase confirm command input, the internal write controller handles erase and erase-verify. When the erase operation is completed, the Write Status Bit(I/O 0) may be checked. Figure 10 details the sequence.

Figure 10. Block Erase Operation



READ STATUS

The device contains a Status Register which may be read to find out whether program or erase operation is completed, and whether the program or erase operation is completed successfully. After writing 70h command to the command register, a read cycle outputs the content of the Status Register to the I/O pins on the falling edge of CE or RE, whichever occurs last. This two line control allows the system to poll the progress of each device in multiple memory connections even when R/B pins are common-wired. RE or CE does not need to be toggled for updated status. Refer to table 3 for specific Status Register definitions. The command register remains in Status Read mode until further commands are issued to it. Therefore, if the status register is read during a random read cycle, a read command(00h or 50h) should be given before sequential page read cycle.

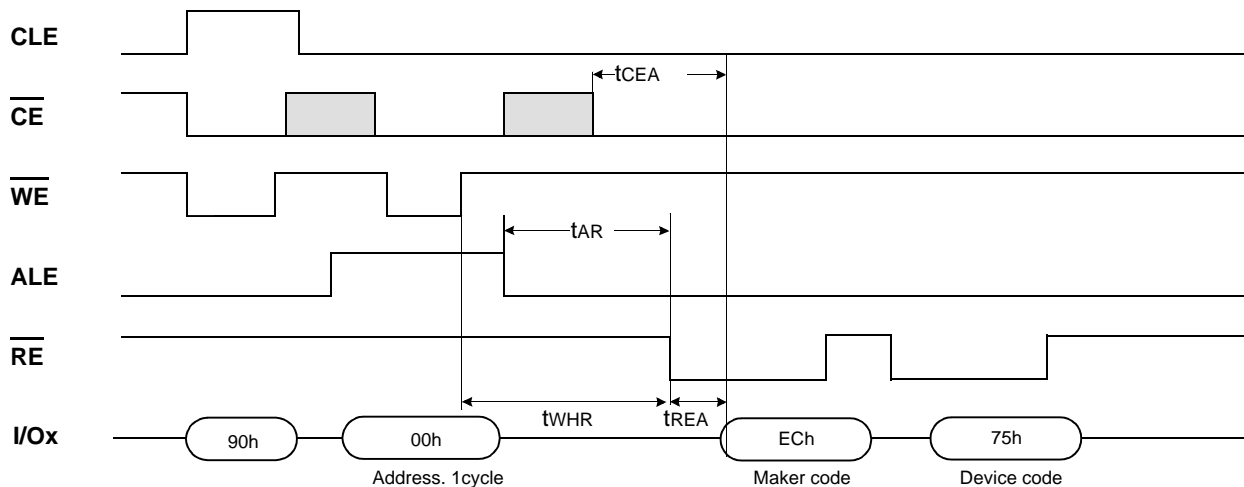
Table3. Read Status Register Definition

I/O #	Status	Definition
I/O 0	Program / Erase	"0" : Successful Program / Erase "1" : Error in Program / Erase
I/O 1	Reserved for Future Use	"0"
I/O 2		"0"
I/O 3		"0"
I/O 4		"0"
I/O 5		"0"
I/O 6	Device Operation	"0" : Busy "1" : Ready
I/O 7	Write Protect	"0" : Protected "1" : Not Protected

READ ID

The device contains a product identification mode, initiated by writing 90h to the command register, followed by an address input of 00h. Two read cycles sequentially output the manufacture code(ECh), and the device code respectively. The command register remains in Read ID mode until further commands are issued to it. Figure 11 shows the operation sequence.

Figure 11. Read ID Operation



RESET

The device offers a reset feature, executed by writing FFh to the command register. When the device is in Busy state during random read, program or erase mode, the reset operation will abort these operations. The contents of memory cells being altered are no longer valid, as the data will be partially programmed or erased. The command register is cleared to wait for the next command, and the Status Register is cleared to value C0h when WP is high. Refer to table 3 for device status after reset operation. If the device is already in reset state a new reset command will not be accepted by the command register. The R/B pin transitions to low for tRST after the Reset command is written. Refer to Figure 12 below.

Figure 12. RESET Operation

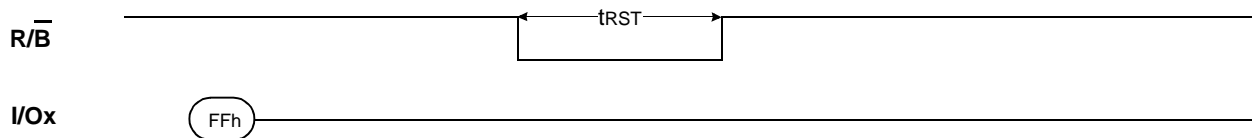


Table4. Device Status

	After Power-up	After Reset
Operation Mode	Read 1	Waiting for next command

READY/BUSY

The device has a R/B output that provides a hardware method of indicating the completion of a page program, erase and random read completion. The R/B pin is normally high but transitions to low after program or erase command is written to the command register or random read is started after address loading. It returns to high when the internal controller has finished the operation. The pin is an open-drain driver thereby allowing two or more R/B outputs to be Or-tied. Because pull-up resistor value is related to tr(R/B) and current drain during busy(ibusy), an appropriate value can be obtained with the following reference chart. Its value can be determined by the following guidance.

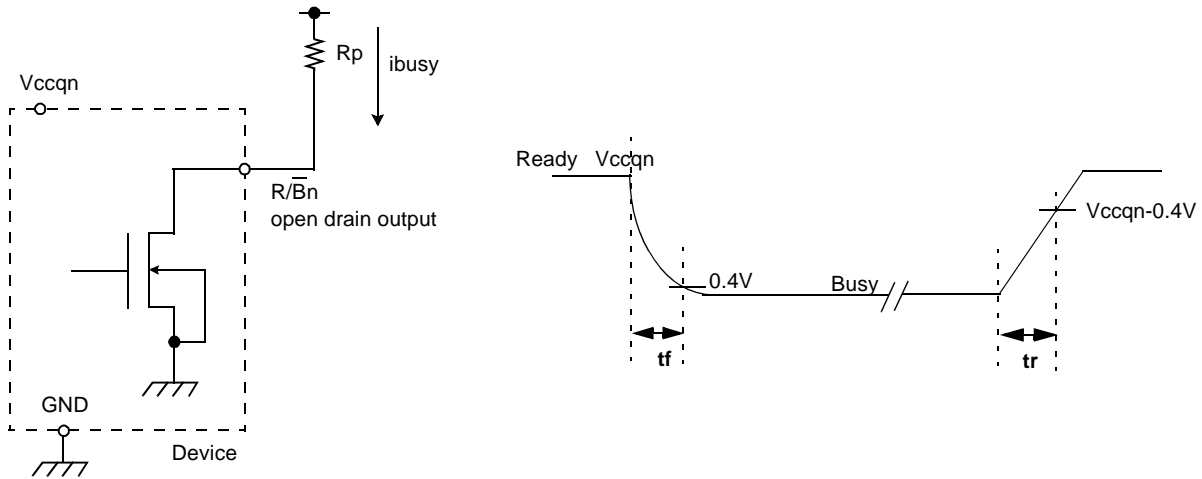
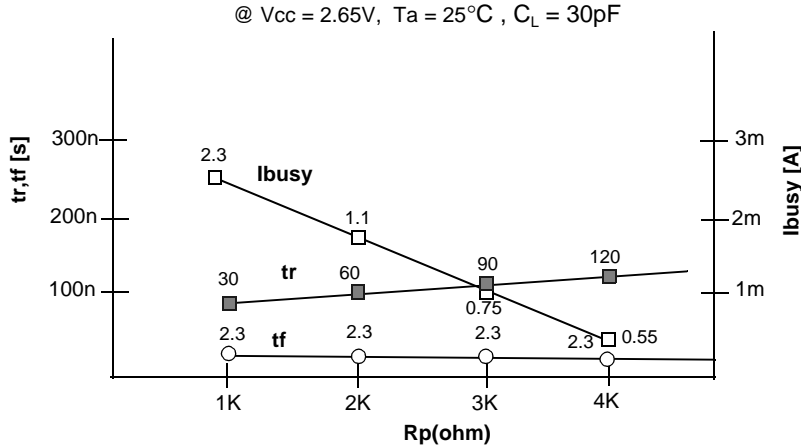


Figure 13. Rp vs tr,tf & Rp vs ibusy



Rp value guidance

$$R_{p(\min, 2.65V \text{ part})} = \frac{V_{CC(\text{Max.})} - V_{OL(\text{Max.})}}{I_{OL} + \Sigma I_L} = \frac{2.5V}{3mA + \Sigma I_L}$$

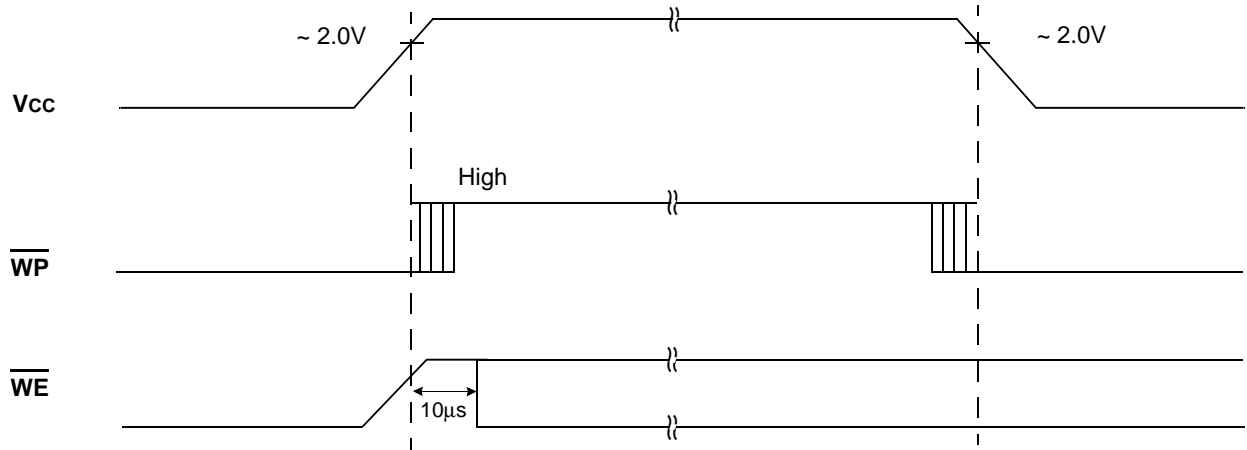
where IL is the sum of the input currents of all devices tied to the R/B pin.

Rp(max) is determined by maximum permissible limit of tr

Data Protection & Power up sequence

The device is designed to offer protection from any involuntary program/erase during power-transitions. An internal voltage detector disables all functions whenever V_{CC} is below about 1.8V. \overline{WP} pin provides hardware protection and is recommended to be kept at V_{IL} during power-up and power-down and recovery time of minimum $10\mu s$ is required before internal circuit gets ready for any command sequences as shown in Figure 14. The two step command sequence for program/erase provides additional software protection.

Figure 14. AC Waveforms for Power Transition



256Mb(16Mb x 16)
Mobile SDRAM E'-Die

ABSOLUTE MAXIMUM RATINGS

Parameter	Symbol	Value	Unit
Voltage on any pin relative to V_{SS}	V_{IN}, V_{OUT}	-1.0 ~ 2.6	V
Voltage on V_{DD} supply relative to V_{SS}	V_{DD}, V_{DDQ}	-1.0 ~ 2.6	V
Storage temperature	T_{STG}	-55 ~ +150	°C
Power dissipation	P_D	1.0	W
Short circuit current	I_{OS}	50	mA

NOTES:

Permanent device damage may occur if ABSOLUTE MAXIMUM RATINGS are exceeded.
Functional operation should be restricted to recommended operating condition.
Exposure to higher than recommended voltage for extended periods of time could affect device reliability.

DC OPERATING CONDITIONS

Recommended operating conditions (Voltage referenced to $V_{SS} = 0V$, $T_A = -25^{\circ}C \sim 85^{\circ}C$ for Extended, $-25^{\circ}C \sim 70^{\circ}C$ for Commercial)

Parameter	Symbol	Min	Typ	Max	Unit	Note
Supply voltage	V_{DD}	1.65	1.8	1.95	V	
	V_{DDQ}	1.65	1.8	1.95	V	
Input logic high voltage	V_{IH}	$0.8 \times V_{DDQ}$	1.8	$V_{DDQ} + 0.3$	V	1
Input logic low voltage	V_{IL}	-0.3	0	0.3	V	2
Output logic high voltage	V_{OH}	$V_{DDQ} - 0.2$	-	-	V	$I_{OH} = -0.1mA$
Output logic low voltage	V_{OL}	-	-	0.2	V	$I_{OL} = 0.1mA$
Input leakage current	I_{LI}	-10	-	10	μA	3

NOTES :

- V_{IH} (max) = 2.2V AC. The overshoot voltage duration is $\leq 3ns$.
- V_{IL} (min) = -1.0V AC. The undershoot voltage duration is $\leq 3ns$.
- Any input $0V \leq V_{IN} \leq V_{DDQ}$.
Input leakage currents include Hi-Z output leakage for all bi-directional buffers with tri-state outputs.
- Dout is disabled, $0V \leq V_{OUT} \leq V_{DDQ}$.

CAPACITANCE ($V_{DD} = 1.8V$, $T_A = 23^{\circ}C$, $f = 1MHz$, $V_{REF} = 0.9V \pm 50 mV$)

Pin	Symbol	Min	Max	Unit	Note
Clock	C_{CLK}	TBD	TBD	pF	
\overline{RAS} , \overline{CAS} , \overline{WE} , \overline{CS} , \overline{CKE} , \overline{DQM}	C_{IN}	TBD	TBD	pF	
Address	C_{ADD}	TBD	TBD	pF	
$DQ_0 \sim DQ_{15}$	C_{OUT}	TBD	TBD	pF	

DC CHARACTERISTICS

Recommended operating conditions (Voltage referenced to V_{SS} = 0V, T_A = -25°C ~ 85°C for Extended, -25°C ~ 70°C for Commercial)

Parameter	Symbol	Test Condition	Version		Unit	Note
			-IL	-15		
Operating Current (One Bank Active)	I _{CC1}	Burst length = 1 t _{RC} ≥ t _{RC(min)} I _O = 0 mA	40	40	mA	1
Precharge Standby Current in power-down mode	I _{CC2P}	CKE ≤ V _{IL(max)} , t _{CC} = 10ns	0.3		mA	
	I _{CC2PS}	CKE & CLK ≤ V _{IL(max)} , t _{CC} = ∞	0.3			
Precharge Standby Current in non power-down mode	I _{CC2N}	CKE ≥ V _{IH(min)} , \overline{CS} ≥ V _{IH(min)} , t _{CC} = 10ns Input signals are changed one time during 20ns	10		mA	
	I _{CC2NS}	CKE ≥ V _{IH(min)} , CLK ≤ V _{IL(max)} , t _{CC} = ∞ Input signals are stable	1			
Active Standby Current in power-down mode	I _{CC3P}	CKE ≤ V _{IL(max)} , t _{CC} = 10ns	5		mA	
	I _{CC3PS}	CKE & CLK ≤ V _{IL(max)} , t _{CC} = ∞	1			
Active Standby Current in non power-down mode (One Bank Active)	I _{CC3N}	CKE ≥ V _{IH(min)} , \overline{CS} ≥ V _{IH(min)} , t _{CC} = 10ns Input signals are changed one time during 20ns	20		mA	
	I _{CC3NS}	CKE ≥ V _{IH(min)} , CLK ≤ V _{IL(max)} , t _{CC} = ∞ Input signals are stable	5			
Operating Current (Burst Mode)	I _{CC4}	I _O = 0 mA Page burst 4Banks Activated t _{CCD} = 2CLKs	60	50	mA	1
Refresh Current	I _{CC5}	t _{ARFC} ≥ t _{ARFC(min)}	65	65	mA	2
Self Refresh Current	I _{CC6}	CKE ≤ 0.2V	TCSR	Max 40°C	Max 85°C	°C
			4 Banks	200	480	uA
			2 Banks	160	300	
			1 Bank	130	220	

NOTES:

1. Measured with outputs open.
2. Refresh period is 64ms.
3. Unless otherwise noted, input swing level is CMOS(V_{IH} /V_{IL}=V_{DDQ}/V_{SSQ}).

AC OPERATING TEST CONDITIONS ($V_{DD} = 1.8V \pm 0.15V$, $T_A = -25^\circ C \sim 85^\circ C$ for Extended, $-25^\circ C \sim 70^\circ C$ for Commer-

Parameter	Value	Unit
AC input levels (V_{ih}/V_{il})	$0.9 \times V_{DDQ} / 0.2$	V
Input timing measurement reference level	$0.5 \times V_{DDQ}$	V
Input rise and fall time	$t_r/t_f = 1/1$	ns
Output timing measurement reference level	$0.5 \times V_{DDQ}$	V
Output load condition	See Figure 2	

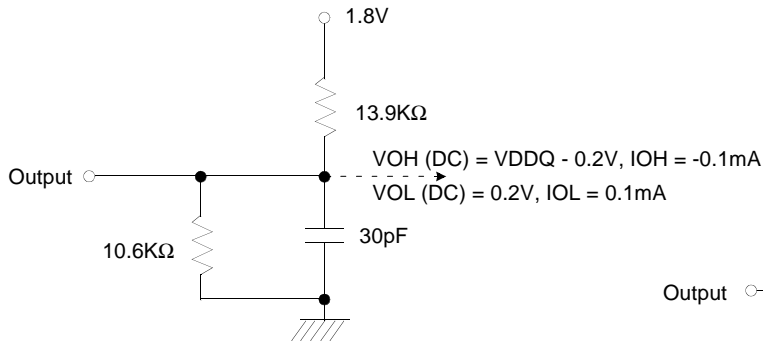


Figure 1. DC Output Load Circuit

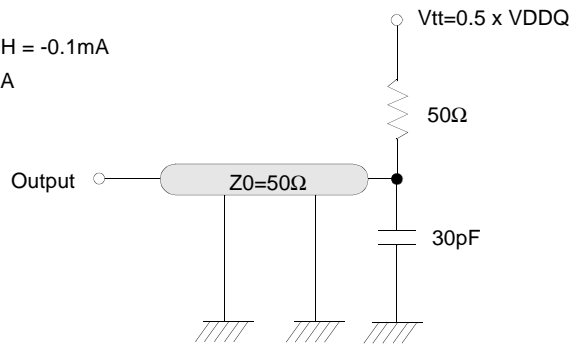


Figure 2. AC Output Load Circuit

OPERATING AC PARAMETER

(AC operating conditions unless otherwise noted)

Parameter	Symbol	Version		Unit	Note
		-1L	-15		
Row active to row active delay	tRRD(min)	19	30	ns	1
$\overline{\text{RAS}}$ to $\overline{\text{CAS}}$ delay	tRCD(min)	28.5	30	ns	1
Row precharge time	tRP(min)	28.5	30	ns	1
Row active time	tRAS(min)	60	60	ns	1
	tRAS(max)	100		us	
Row cycle time	tRC(min)	88.5	90	ns	1
Last data in to row precharge	tRDL(min)	2		CLK	2
Last data in to Active delay	tDAL(min)	tRDL + tRP		-	3
Last data in to new col. address delay	tCDL(min)	1		CLK	2
Last data in to burst stop	tBDL(min)	1		CLK	2
Auto refresh cycle time	tARFC(min)	105		ns	
Exit self refresh to active command	tSRFX(min)	120		ns	
Col. address to col. address delay	tCCD(min)	1		CLK	4
Number of valid output data	CAS latency=3	2		ea	5
Number of valid output data	CAS latency=2	1			
Number of valid output data	CAS latency=1	0			

NOTES:

1. The minimum number of clock cycles is determined by dividing the minimum time required with clock cycle time and then rounding off to the next higher integer.
2. Minimum delay is required to complete write.
3. Minimum 3CLK of tDAL(= tRDL + tRP) is required because it need minimum 2CLK for tRDL and minimum 1CLK for tRP.
4. All parts allow every cycle column address change.
5. In case of row precharge interrupt, auto precharge and read burst stop.

AC CHARACTERISTICS(AC operating conditions unless otherwise noted)

Parameter		Symbol	-1L		-15		Unit	Note
			Min	Max	Min	Max		
CLK cycle time	CAS latency=3	tcc	9.5	1000	15	1000	ns	1
CLK cycle time	CAS latency=2	tcc	15		15			
CLK cycle time	CAS latency=1	tcc	25		30			
CLK to valid output delay	CAS latency=3	tsac		7		9	ns	1,2
CLK to valid output delay	CAS latency=2	tsac		8		9		
CLK to valid output delay	CAS latency=1	tsac		20		24		
Output data hold time	CAS latency=3	toH	2.5		2.5		ns	2
Output data hold time	CAS latency=2	toH	2.5		2.5			
Output data hold time	CAS latency=1	toH	2.5		2.5			
CLK high pulse width		tCH	3.5		3.5		ns	3
CLK low pulse width		tCL	3.5		3.5		ns	3
Input setup time		tSS	3.0		4.0		ns	3
Input hold time		tSH	1.5		2.0		ns	3
CLK to output in Low-Z		tSLZ	1		1		ns	2
CLK to output in Hi-Z	CAS latency=3	tSHZ		7		9	ns	
	CAS latency=2			8		9		
	CAS latency=1			20		24		

NOTES :

- Parameters depend on programmed CAS latency.
- If clock rising time is longer than 1ns, $(tr/2-0.5)ns$ should be added to the parameter.
- Assumed input rise and fall time $(tr \& \text{tf}) = 1ns$.
If $tr \& \text{tf}$ is longer than 1ns, transient time compensation should be considered,
i.e., $[(tr + \text{tf})/2-1]ns$ should be added to the parameter.

SIMPLIFIED TRUTH TABLE

COMMAND		CKEn-1	CKEn	\overline{CS}	\overline{RAS}	\overline{CAS}	\overline{WE}	DQM	BA0,1	A10/AP	A11, A9 ~ A0	Note	
Register	Mode Register Set	H	X	L	L	L	L	X	OP CODE			1, 2	
Refresh	Auto Refresh	H	H	L	L	L	H	X	X	X	X	3	
	Self Refresh		Entry									L	3
		Exit	L	H	L	H	H	H	X	X	3		
					H	X	X	X					3
Bank Active & Row Addr.		H	X	L	L	H	H	X	V	Row Address			
Read & Column Address	Auto Precharge Disable	H	X	L	H	L	H	X	V	L	Column Address (A0~A7)	4	
	Auto Precharge Enable									H		4, 5	
Write & Column Address	Auto Precharge Disable	H	X	L	H	L	L	X	V	L	Column Address (A0~A7)	4	
	Auto Precharge Enable									H		4, 5	
Burst Stop		H	X	L	H	H	L	X	X			6	
Precharge	Bank Selection	H	X	L	L	H	L	X	V	L	X		
	All Banks								X	H			
Clock Suspend or Active Power Down	Entry	H	L	H	X	X	X	X	X	X	X		
				L	V	V	V						
Exit	Exit	L	H	X	X	X	X	X	X	X	X		
				L	V	V	V						
Precharge Power Down Mode	Entry	H	L	H	X	X	X	X	X	X	X		
				L	H	H	H						
	Exit	Exit	L	H	H	X	X	X	X	X	X	X	
					L	V	V	V					
DQM		H	X					V	X			7	
No Operation Command		H	X	H	X	X	X	X	X	X	X		
				L	H	H	H						

(V=Valid, X=Don't Care, H=Logic High, L=Logic Low)

NOTES :

- OP Code : Operand Code
A0 ~ A11 & BA0 ~ BA1 : Program keys. (@MRS)
- MRS can be issued only at all banks precharge state.
A new command can be issued after 2 CLK cycles of MRS.
- Auto refresh functions are the same as CBR refresh of DRAM.
The automatical precharge without row precharge command is meant by "Auto".
Auto/self refresh can be issued only at all banks precharge state.
Partial self refresh can be issued only after setting partial self refresh mode of EMRS.
- BA0 ~ BA1 : Bank select addresses.
- During burst read or write with auto precharge, new read/write command can not be issued.
Another bank read/write command can be issued after the end of burst.
New row active of the associated bank can be issued at tRP after the end of burst.
- Burst stop command is valid at every burst length.
- DQM sampled at the positive going edge of CLK masks the data-in at that same CLK in write operation (Write DQM latency is 0), but in read operation, it makes the data-out Hi-Z state after 2 CLK cycles. (Read DQM latency is 2).

A. MODE REGISTER FIELD TABLE TO PROGRAM MODES

Register Programmed with Normal MRS

Address	BA0 ~ BA1 ¹ BA0	A11 ~ A10/ AP	A9 ²	A8	A7	A6	A5	A4	A3	A2	A1	A0
Function	"0" Setting for Normal MRS	RFU	W.B.L	Test Mode		CAS Latency			BT	Burst Length		

Normal MRS Mode

Test Mode			CAS Latency				Burst Type			Burst Length				
A8	A7	Type	A6	A5	A4	Latency	A3	Type	A2	A1	A0	BT=0	BT=1	
0	0	Mode Register Set	0	0	0	Reserved	0	Sequential	0	0	0	1	1	
0	1	Reserved	0	0	1	1	1	Interleave	0	0	1	2	2	
1	0	Reserved	0	1	0	2	Mode Select			0	1	0	4	4
1	1	Reserved	0	1	1	3	BA1	BA0	Mode	0	1	1	8	8
Write Burst Length			1	0	0	Reserved	0	0	Setting for Normal MRS	1	0	0	Reserved	Reserved
A9	Length		1	0	1	Reserved				1	0	1	Reserved	Reserved
0	Burst		1	1	0	Reserved				1	1	0	Reserved	Reserved
1	Single Bit		1	1	1	Reserved				1	1	1	Full Page	Reserved

Full Page Length x16 : 64Mb(256), 128Mb(512),256Mb(512),512Mb(1024)

Register Programmed with Extended MRS

Address	BA1	BA0	A11 ~ A10/AP	A9	A8	A7	A6	A5	A4	A3	A2	A1	A0
Function	Mode Select		RFU				DS		RFU		PASR		

EMRS for PASR(Partial Array Self Ref.) & DS(Driver Strength)

Mode Select			Driver Strength			PASR				
BA1	BA0	Mode	A6	A5	Driver Strength	A2	A1	A0	# of Banks	
0	0	Normal MRS	0	0	Full	0	0	0	4 Banks	
0	1	Reserved	0	1	1/2	0	0	1	2 Banks	
1	0	EMRS for Mobile SDRAM	1	0	1/4	0	1	0	1 Bank	
1	1	Reserved	1	1	1/8	0	1	1	Reserved	
Reserved Address						1	0	0	Reserved	
A11~A10/AP		A9	A8	A7	A4	A3	1	0	1	Reserved
0		0	0	0	0	0	1	1	0	Reserved
							1	1	1	Reserved

NOTES:

- 1.RFU(Reserved for future use) should stay "0" during MRS cycle.
- 2.If A9 is high during MRS cycle, "Burst Read Single Bit Write" function will be enabled.

Partial Array Self Refresh

1. In order to save power consumption, Mobile SDRAM has PASR option.
2. Mobile SDRAM supports 3 kinds of PASR in self refresh mode : 4 Banks, 2 Banks and 1 Bank.

BA1=0 BA0=0	BA1=0 BA0=1
BA1=1 BA0=0	BA1=1 BA0=1


- 4 Banks

BA1=0 BA0=0	BA1=0 BA0=1
BA1=1 BA0=0	BA1=1 BA0=1

- 2 Banks

BA1=0 BA0=0	BA1=0 BA0=1
BA1=1 BA0=0	BA1=1 BA0=1

- 1 Bank

 Partial Self Refresh Area

Internal Temperature Compensated Self Refresh (TCSR)

Note :

1. In order to save power consumption, Mobile DDR SDRAM includes the internal temperature sensor and control units to control the self refresh cycle automatically according to the two temperature range ; Max. 40 °C, Max. 85 °C.
2. If the EMRS for external TCSR is issued by the controller, this EMRS code for TCSR is ignored.

Temperature Range	Self Refresh Current (Icc 6)			Unit
	4 Banks	2 Banks	1 Bank	
Max. 40 °C	200	160	130	uA
Max. 85 °C	480	300	220	

B. POWER UP SEQUENCE

1. Apply power and attempt to maintain CKE at a high state and all other inputs may be undefined.
 - Apply VDD before or at the same time as VDDQ.
2. Maintain stable power, stable clock and NOP input condition for a minimum of 200us.
3. Issue precharge commands for all banks of the devices.
4. Issue 2 or more auto-refresh commands.
5. Issue a mode register set command to initialize the mode register.
6. Issue a extended mode register set command to define DS or PASR operating type of the device after normal MRS.

EMRS cycle is not mandatory and the EMRS command needs to be issued only when DS or PASR is used.

The default state without EMRS command issued is half driver strength, all 4 banks refreshed.

The device is now ready for the operation selected by EMRS.

For operating with DS or PASR , set DS or PASR mode in EMRS setting stage.

In order to adjust another mode in the state of DS or PASR mode, additional EMRS set is required but power up sequence is not needed again at this time. In that case, all banks have to be in idle state prior to adjusting EMRS set.

C. BURST SEQUENCE

1. BURST LENGTH = 4

Initial Address		Sequential				Interleave			
A1	A0								
0	0	0	1	2	3	0	1	2	3
0	1	1	2	3	0	1	0	3	2
1	0	2	3	0	1	2	3	0	1
1	1	3	0	1	2	3	2	1	0

2. BURST LENGTH = 8

Initial Address			Sequential								Interleave								
A2	A1	A0																	
0	0	0	0	1	2	3	4	5	6	7	0	1	2	3	4	5	6	7	
0	0	1	1	2	3	4	5	6	7	0	1	0	3	2	5	4	7	6	
0	1	0	2	3	4	5	6	7	0	1	2	3	0	1	6	7	4	5	
0	1	1	3	4	5	6	7	0	1	2	3	2	1	0	7	6	5	4	
1	0	0	4	5	6	7	0	1	2	3	4	5	6	7	0	1	2	3	
1	0	1	5	6	7	0	1	2	3	4	5	4	7	6	1	0	3	2	
1	1	0	6	7	0	1	2	3	4	5	6	7	4	5	2	3	0	1	
1	1	1	7	0	1	2	3	4	5	6	7	6	5	4	3	2	1	0	

D. DEVICE OPERATIONS**ADDRESSES of 256Mb****BANK ADDRESSES (BA0 ~ BA1)***: In case x 16*

This SDRAM is organized as four independent banks of 4,194,304 words x 16 bits memory arrays. The BA0 ~ BA1 inputs are latched at the time of assertion of \overline{RAS} and \overline{CAS} to select the bank to be used for the operation. The bank addresses BA0 ~ BA1 are latched at bank active, read, write, mode register set and precharge operations.

: In case x 32

This SDRAM is organized as four independent banks of 2,097,152 words x 32 bits memory arrays. The BA0 ~ BA1 inputs are latched at the time of assertion of \overline{RAS} and \overline{CAS} to select the bank to be used for the operation. The bank addresses BA0 ~ BA1 are latched at bank active, read, write, mode register set and precharge operations.

ADDRESS INPUTS (A0 ~ A12)*: In case x 16*

The 22 address bits are required to decode the 4,194,304 word locations are multiplexed into 13 address input pins (A0 ~ A12). The 13 bit row addresses are latched along with \overline{RAS} and BA0 ~ BA1 during bank activate command. The 9 bit column addresses are latched along with \overline{CAS} , \overline{WE} and BA0 ~ BA1 during read or write command.

: In case x 32

The 21 address bits are required to decode the 2,097,152 word locations are multiplexed into 12 address input pins (A0 ~ A11). The 12 bit row addresses are latched along with \overline{RAS} and BA0 ~ BA1 during bank activate command. The 9 bit column addresses are latched along with \overline{CAS} , \overline{WE} and BA0 ~ BA1 during read or write command.

ADDRESSES of 512Mb**BANK ADDRESSES (BA0 ~ BA1)***: In case x 16*

This SDRAM is organized as four independent banks of 8,388,608 words x 16 bits memory arrays. The BA0 ~ BA1 inputs are latched at the time of assertion of \overline{RAS} and \overline{CAS} to select the bank to be used for the operation. The bank addresses BA0 ~ BA1 are latched at bank active, read, write, mode register set and precharge operations.

: In case x 32

This SDRAM is organized as four independent banks of 4,194,304 words x 32 bits memory arrays. The BA0 ~ BA1 inputs are latched at the time of assertion of \overline{RAS} and \overline{CAS} to select the bank to be used for the operation. The bank addresses BA0 ~ BA1 are latched at bank active, read, write, mode register set and precharge operations.

ADDRESS INPUTS (A0 ~ A12)*: In case x 16*

The 23 address bits are required to decode the 8,388,608 word locations are multiplexed into 13 address input pins (A0 ~ A12). The 13 bit row addresses are latched along with \overline{RAS} and BA0 ~ BA1 during bank activate command. The 10 bit column addresses are latched along with \overline{CAS} , \overline{WE} and BA0 ~ BA1 during read or write command.

: In case x 32

The 22 address bits are required to decode the 8,388,608 word locations are multiplexed into 13 address input pins (A0 ~ A12). The 13 bit row addresses are latched along with \overline{RAS} and BA0 ~ BA1 during bank activate command. The 9 bit column addresses are latched along with \overline{CAS} , \overline{WE} and BA0 ~ BA1 during read or write command.

D. DEVICE OPERATIONS (continued)**CLOCK (CLK)**

The clock input is used as the reference for all SDRAM operations. All operations are synchronized to the positive going edge of the clock. The clock transitions must be monotonic between V_{IL} and V_{IH} . During operation with \overline{CKE} high all inputs are assumed to be in a valid state (low or high) for the duration of set-up and hold time around positive edge of the clock in order to function well Q perform and ICC specifications.

CLOCK ENABLE (CKE)

The clock enable(CKE) gates the clock onto SDRAM. If \overline{CKE} goes low synchronously with clock (set-up and hold time are the same as other inputs), the internal clock is suspended from the next clock cycle and the state of output and burst address is frozen as long as the \overline{CKE} remains low. All other inputs are ignored from the next clock cycle after \overline{CKE} goes low. When all banks are in the idle state and \overline{CKE} goes low synchronously with clock, the SDRAM enters the power down mode from the next clock cycle. The SDRAM remains in the power down mode ignoring the other inputs as long as \overline{CKE} remains low. The power down exit is synchronous as the internal clock is suspended. When \overline{CKE} goes high at least "1CLK + tSS" before the high going edge of the clock, then the SDRAM becomes active from the same clock edge accepting all the input commands.

NOP and DEVICE DESELECT

When \overline{RAS} , \overline{CAS} and \overline{WE} are high, the SDRAM performs no operation (NOP). NOP does not initiate any new operation, but is needed to complete operations which require more than single clock cycle like bank activate, burst read, auto refresh, etc. The device deselect is also a NOP and is entered by asserting \overline{CS} high. \overline{CS} high disables the command decoder so that \overline{RAS} , \overline{CAS} , \overline{WE} and all the address inputs are ignored.

DQM OPERATION

The DQM is used to mask input and output operations. It works similar to \overline{OE} during read operation and inhibits writing during write operation. The read latency is two cycles from DQM and zero cycle for write, which means DQM masking occurs two cycles later in read cycle and occurs in the same cycle during write cycle. DQM operation is synchronous with the clock. The DQM signal is important during burst interruptions of write with read or precharge in the SDRAM. Due to asynchronous nature of the internal write, the DQM operation is critical to avoid unwanted or incomplete writes when the complete burst write is not required. Please refer to DQM timing diagram also.

MODE REGISTER SET (MRS)

The mode register stores the data for controlling the various operating modes of SDRAM. It programs the CAS latency, burst type, burst length, test mode and various vendor specific options to make SDRAM useful for variety of different applications. The default value of the mode register is not defined, therefore the mode register must be written after power up to operate the SDRAM. The mode register is written by asserting low on \overline{CS} , \overline{RAS} , \overline{CAS} and \overline{WE} (The SDRAM should be in active mode with \overline{CKE} already high prior to writing the mode register). The state of address pins $A_0 \sim A_n$ and $BA_0 \sim BA_1$ in the same cycle as \overline{CS} , \overline{RAS} , \overline{CAS} and \overline{WE} going low is the data written in the mode register. Two clock cycles is required to complete the write in the mode register. The mode register contents can be changed using the same command and clock cycle requirements during operation as long as all banks are in the idle state. The mode register is divided into various fields depending on the fields of functions. The burst length field uses $A_0 \sim A_2$, burst type uses A_3 , CAS latency (read latency from column address) use $A_4 \sim A_6$, vendor specific options or test mode use $A_7 \sim A_8$, $A_{10}/AP \sim A_n$ and $BA_0 \sim BA_1$. The write burst length is programmed using A_9 . $A_7 \sim A_8$, $A_{10}/AP \sim A_n$ and $BA_0 \sim BA_1$ must be set to low for normal SDRAM operation. Refer to the table for specific codes for various burst length, burst type and CAS latencies.

D. DEVICE OPERATIONS (continued)**EXTENDED MODE REGISTER SET (EMRS)**

The extended mode register stores the data for selecting driver strength and partial self refresh. EMRS cycle is not mandatory and the EMRS command needs to be issued only when DS or PASR is used. The default state without EMRS command issued is half driver strength and all 4 banks refreshed. The extended mode register is written by asserting low on \overline{CS} , \overline{RAS} , \overline{CAS} , \overline{WE} and high on BA1, low on BA0 (The SDRAM should be in all bank precharge with \overline{CKE} already high prior to writing into the extended mode register). The state of address pins A0 ~ A11 in the same cycle as \overline{CS} , \overline{RAS} , \overline{CAS} and \overline{WE} going low is written in the extended mode register. Two clock cycles are required to complete the write operation in the extended mode register. The mode register contents can be changed using the same command and clock cycle requirements during operation as long as all banks are in the idle state. A0 - A2 are used for partial self refresh, A5 - A6 are used for Driver strength, "Low" on BA1 and "High" on BA0 are used for EMRS. All the other address pins except A0, A1, A2, BA1, BA0 must be set to low for proper EMRS operation. Refer to the table for specific codes.

BANK ACTIVATE.

The bank activate command is used to select a random row in an idle bank. By asserting low on \overline{RAS} and \overline{CS} with desired row and bank address, a row access is initiated. The read or write operation can occur after a time delay of $t_{RCDB}(\min)$ from the time of bank activation. t_{RCDB} is an internal timing parameter of SDRAM, therefore it is dependent on operating clock frequency. The minimum number of clock cycles required between bank activate and read or write command should be calculated by dividing $t_{RCDB}(\min)$ with cycle time of the clock and then rounding off the result to the next higher integer.

The SDRAM has four internal banks in the same chip and shares part of the internal circuitry to reduce chip area, therefore it restricts the activation of four banks simultaneously. Also the noise generated during sensing of each bank of SDRAM is high, requiring some time for power supplies to recover before another bank can be sensed reliably. $t_{RRD}(\min)$ specifies the minimum time required between activating different bank. The number of clock cycles required between different bank activation must be calculated similar to t_{RCDB} specification. The minimum time required for the bank to be active to initiate sensing and restoring the complete row of dynamic cells is determined by $t_{RAS}(\min)$. Every SDRAM bank activate command must satisfy $t_{RAS}(\min)$ specification before a precharge command to that active bank can be asserted. The maximum time any bank can be in the active state is determined by $t_{RAS}(\max)$. The number of cycles for both $t_{RAS}(\min)$ and $t_{RAS}(\max)$ can be calculated similar to t_{RCDB} specification.

BURST READ

The burst read command is used to access burst of data on consecutive clock cycles from an active row in an active bank. The burst read command is issued by asserting low on \overline{CS} and \overline{CAS} with \overline{WE} being high on the positive edge of the clock. The bank must be active for at least $t_{RCDB}(\min)$ before the burst read command is issued. The first output appears in CAS latency number of clock cycles after the issue of burst read command. The burst length, burst sequence and latency from the burst read command is determined by the mode register which is already programmed. The burst read can be initiated on any column address of the active row. The address wraps around if the initial address does not start from a boundary such that number of outputs from each I/O are equal to the burst length programmed in the mode register. The output goes into high-impedance at the end of the burst, unless a new burst read was initiated to keep the data output gapless. The burst read can be terminated by issuing another burst read or burst write in the same bank or the other active bank or a precharge command to the same bank. The burst stop command is valid at every page burst length.

D. DEVICE OPERATIONS (continued)**BURST WRITE**

The burst write command is similar to burst read command and is used to write data into the SDRAM on consecutive clock cycles in adjacent addresses depending on burst length and burst sequence. By asserting low on CS, CAS and WE with valid column address, a write burst is initiated. The data inputs are provided for the initial address in the same clock cycle as the burst write command. The input buffer is deselected at the end of the burst length, even though the internal writing can be completed yet. The writing can be completed by issuing a burst read and DQM for blocking data inputs or burst write in the same or another active bank. The burst stop command is valid at every burst length. The write burst can also be terminated by using DQM for blocking data and precharging the bank tRD after the last data input to be written into the active row. See DQM OPERATION also.

ALL BANKS PRECHARGE

All banks can be precharged at the same time by using Precharge all command. Asserting low on CS, RAS, and WE with high on A10/AP after all banks have satisfied t_{AS}(min) requirement, performs precharge on all banks. At the end of t_{RP} after performing precharge to all the banks, all banks are in idle state.

PRECHARGE

The precharge operation is performed on an active bank by asserting low on CS, RAS, WE and A10/AP with valid BA0 ~ BA1 of the bank to be precharged. The precharge command can be asserted anytime after t_{AS}(min) is satisfied from the bank active command in the desired bank. t_{RP} is defined as the minimum number of clock cycles required to complete row precharge is calculated by dividing t_{RP} with clock cycle time and rounding up to the next higher integer. Care should be taken to make sure that burst write is completed or DQM is used to inhibit writing before precharge command is asserted. The maximum time any bank can be active is specified by t_{AS}(max). Therefore, each bank activate command. At the end of precharge, the bank enters the idle state and is ready to be activated again. Entry to Power down, Auto refresh, Self refresh and Mode register set etc. is possible only when all banks are in idle state.

AUTO PRECHARGE

The precharge operation can also be performed by using auto precharge. The SDRAM internally generates the timing to satisfy t_{AS}(min) and "t_{RP}" for the programmed burst length and CAS latency. The auto precharge command is issued at the same time as burst read or burst write by asserting high on A10/AP. If burst read or burst write by asserting high on A10/AP, the bank is left active until a new command is asserted. Once auto precharge command is given, no new commands are possible to that particular bank until the bank achieves idle state.

AUTO REFRESH

The storage cells of 64Mb, 128Mb, 256Mb and 512Mb SDRAM need to be refreshed every 64ms to maintain data. An auto refresh cycle accomplishes refresh of a single row of storage cells. The internal counter increments automatically on every auto refresh cycle to refresh all the rows. An auto refresh command is issued by asserting low on CS, RAS and CAS with high on CKE and WE. The auto refresh command can only be asserted with all banks being in idle state and the device is not in power down mode (CKE is high in the previous cycle). The time required to complete the auto refresh operation is specified by t_{RC}(min). The minimum number of clock cycles required can be calculated by driving t_{RC} with clock cycle time and then rounding up to the next higher integer. The auto refresh command must be followed by NOP's until the auto refresh operation is completed. All banks will be in the idle state at the end of auto refresh operation. The auto refresh is the preferred refresh mode when the SDRAM is being used for normal data transactions. The 64Mb and 128Mb SDRAM's auto refresh cycle can be performed once in 15.6us or a burst of 4096 auto refresh cycles once in 64ms. The 256Mb and 512Mb SDRAM's auto refresh cycle can be performed once in 7.8us or a burst of 8192 auto refresh cycles once in 64ms.

D. DEVICE OPERATIONS(continued)***SELF REFRESH***

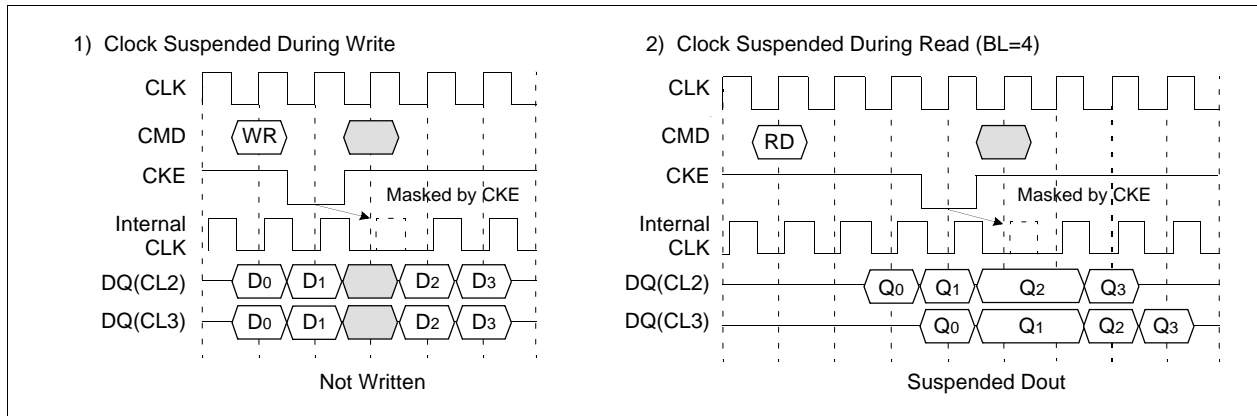
The self refresh is another refresh mode available in the SDRAM. The self refresh is the preferred refresh mode for data retention and low power operation of SDRAM. In self refresh mode, the SDRAM disables the internal clock and all the input buffers except CKE. The refresh addressing and timing are internally generated to reduce power consumption.

The self refresh mode is entered from all banks idle state by asserting low on $\overline{\text{CS}}$, $\overline{\text{RAS}}$, $\overline{\text{CAS}}$ and CKE with high on $\overline{\text{WE}}$. Once the self refresh mode is entered, only CKE state being low matters, all the other inputs including the clock are ignored in order to remain in the self refresh mode.

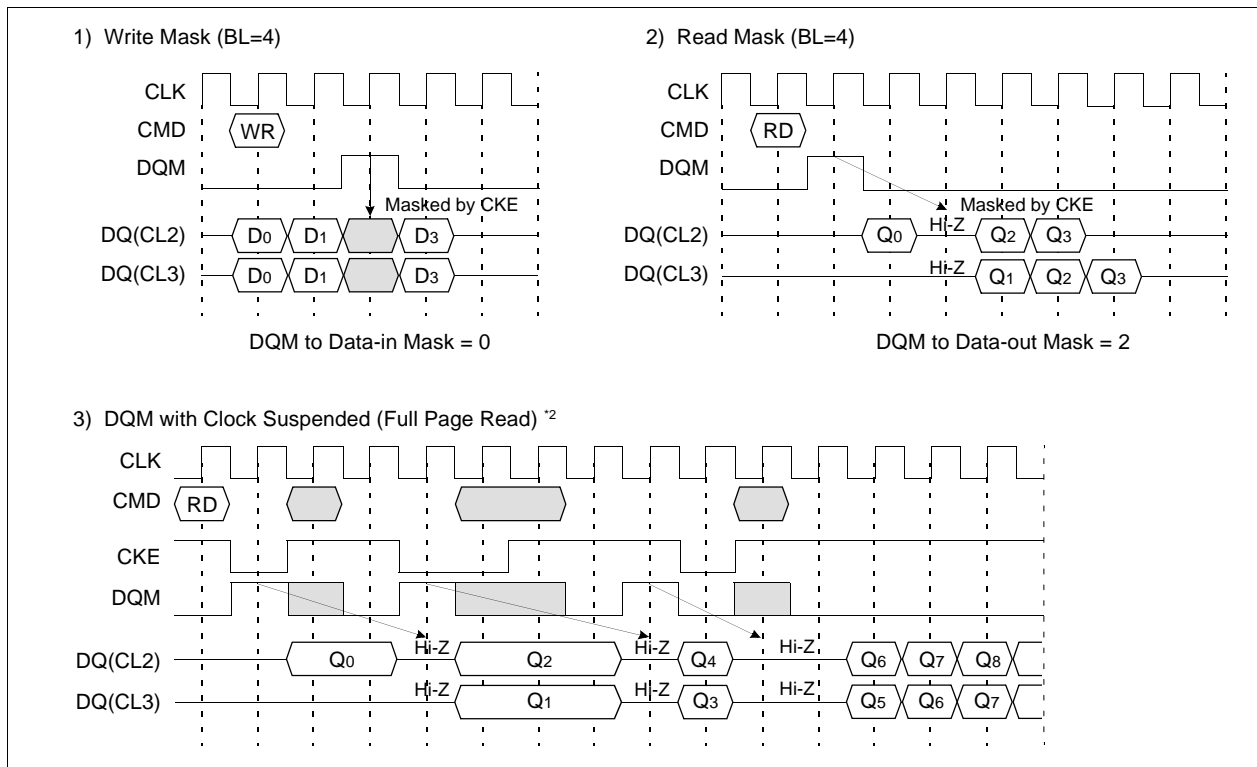
The self refresh is exited by restarting the external clock and then asserting high on CKE. This must be followed by NOP's for a minimum time of t_{SRFX} before the SDRAM reaches idle state to begin normal operation. In case that the system uses burst auto refresh during normal operation, it is recommended to use burst 8192 auto refresh cycles for 256Mb and 512Mb, and burst 4096 auto refresh cycles for 128Mb and 64Mb immediately before entering self refresh mode and after exiting in self refresh mode. On the other hand, if the system uses the distributed auto refresh, the system only has to keep the refresh duty cycle.

E. BASIC FEATURE AND FUNCTION DESCRIPTIONS

1. CLOCK Suspend



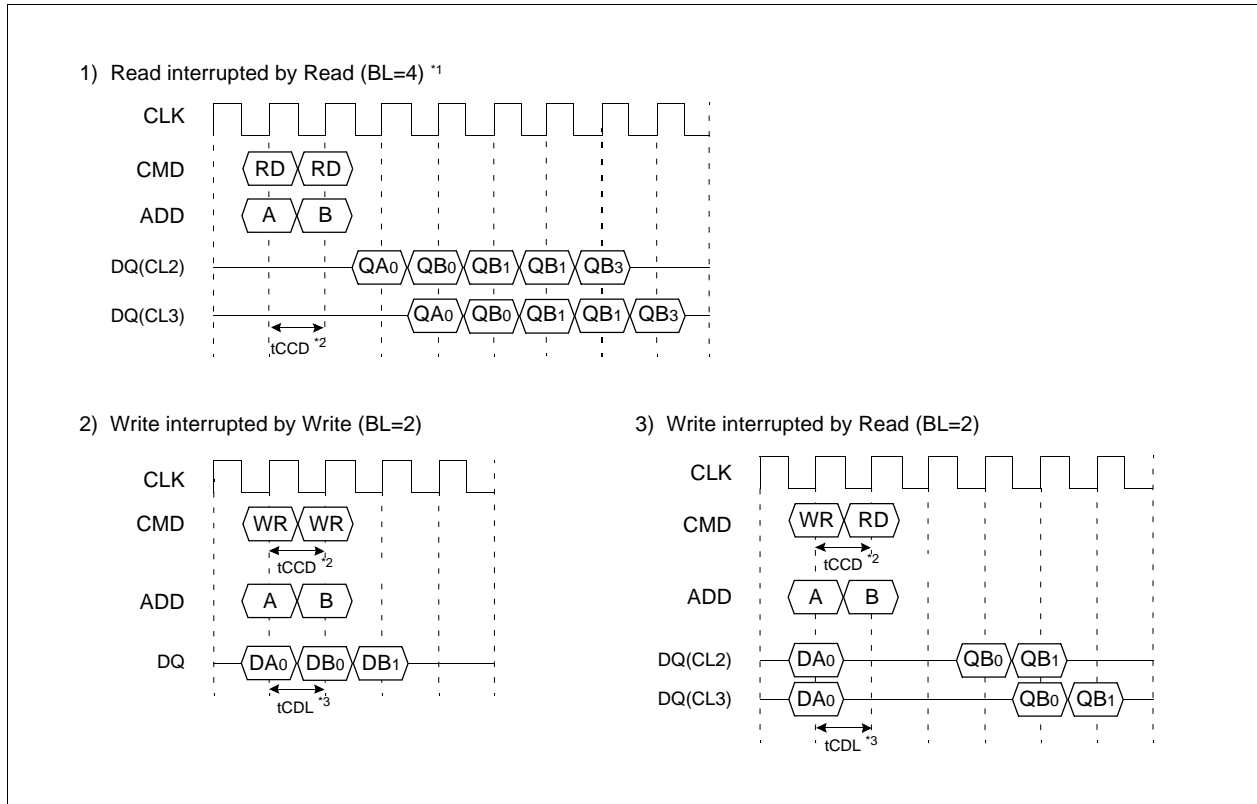
2. DQM Operation



*NOTE :

1. CKE to CLK disable/enable = 1CLK.
2. DQM makes data out Hi-Z after 2CLKs which should be masked by CKE "L"
3. DQM masks both data-in and data-out.

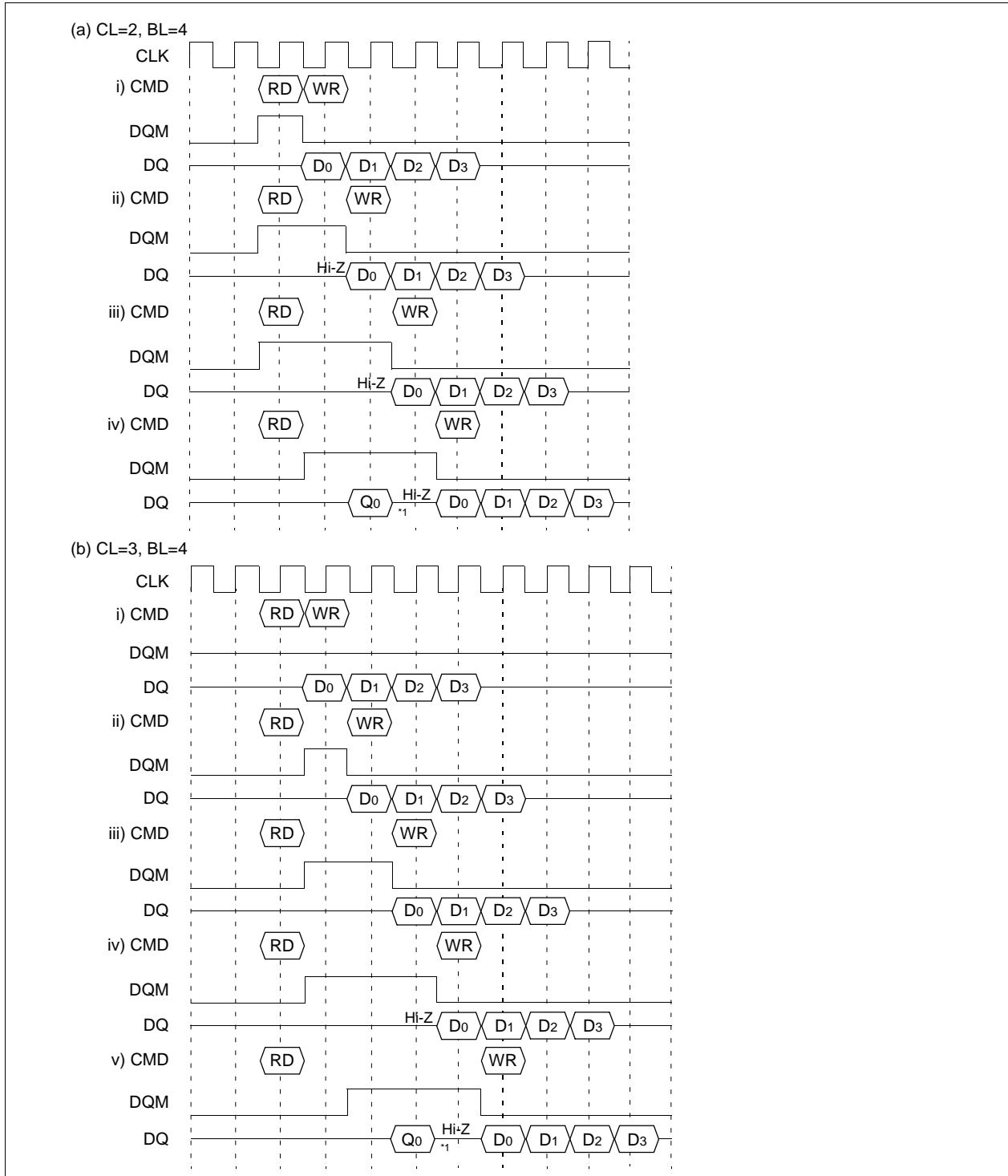
3. CAS Interrupt (I)



*NOTE:

1. By "Interrupt", It is meant to stop burst read/write by external command before the end of burst.
By "CAS Interrupt", to stop burst read/write by CAS access ; read and write.
2. t_{CCD} : CAS to CAS delay. (=1CLK)
3. t_{CDL} : Last data in to new column address delay. (=1CLK)

4. CAS Interrupt (II) : Read Interrupted by Write & DQM



***NOTE:**

1. To prevent bus contention, there should be at least one gap between data in and data out.

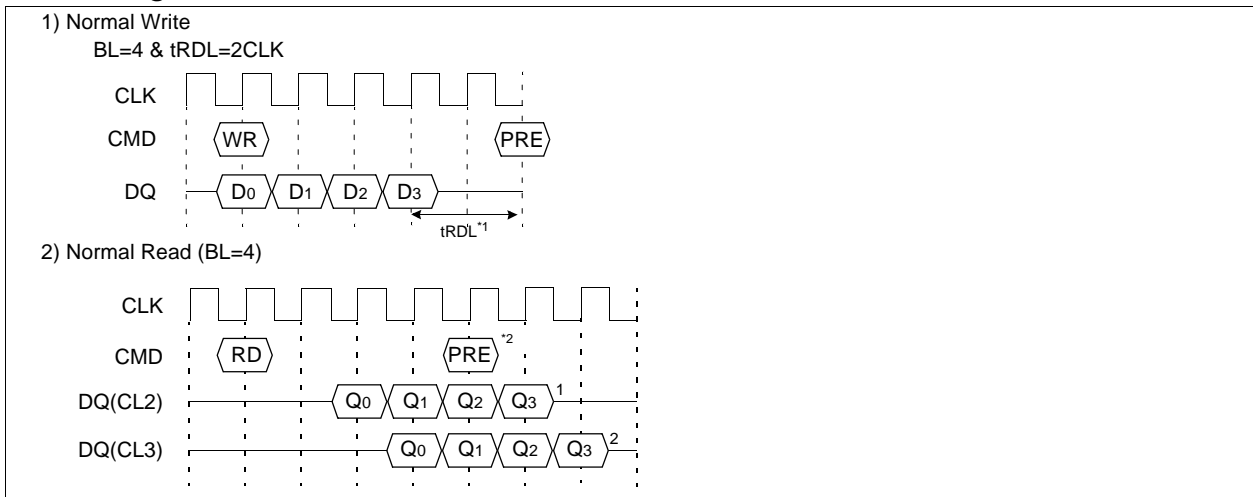
5. Write Interrupted by Precharge & DQM



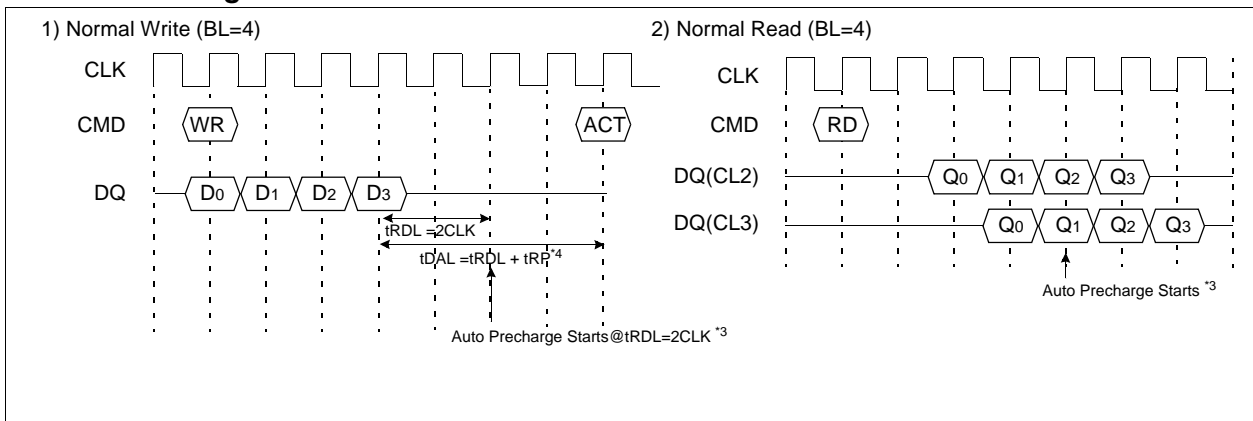
***NOTE:**

1. To prevent bus contention, DQM should be issued which makes at least one gap between data in and data out.
2. To inhibit invalid write, DQM should be issued.
3. This precharge command and burst write command should be of the same bank, otherwise it is not precharge interrupt but only another bank precharge of four banks operation.

6. Precharge



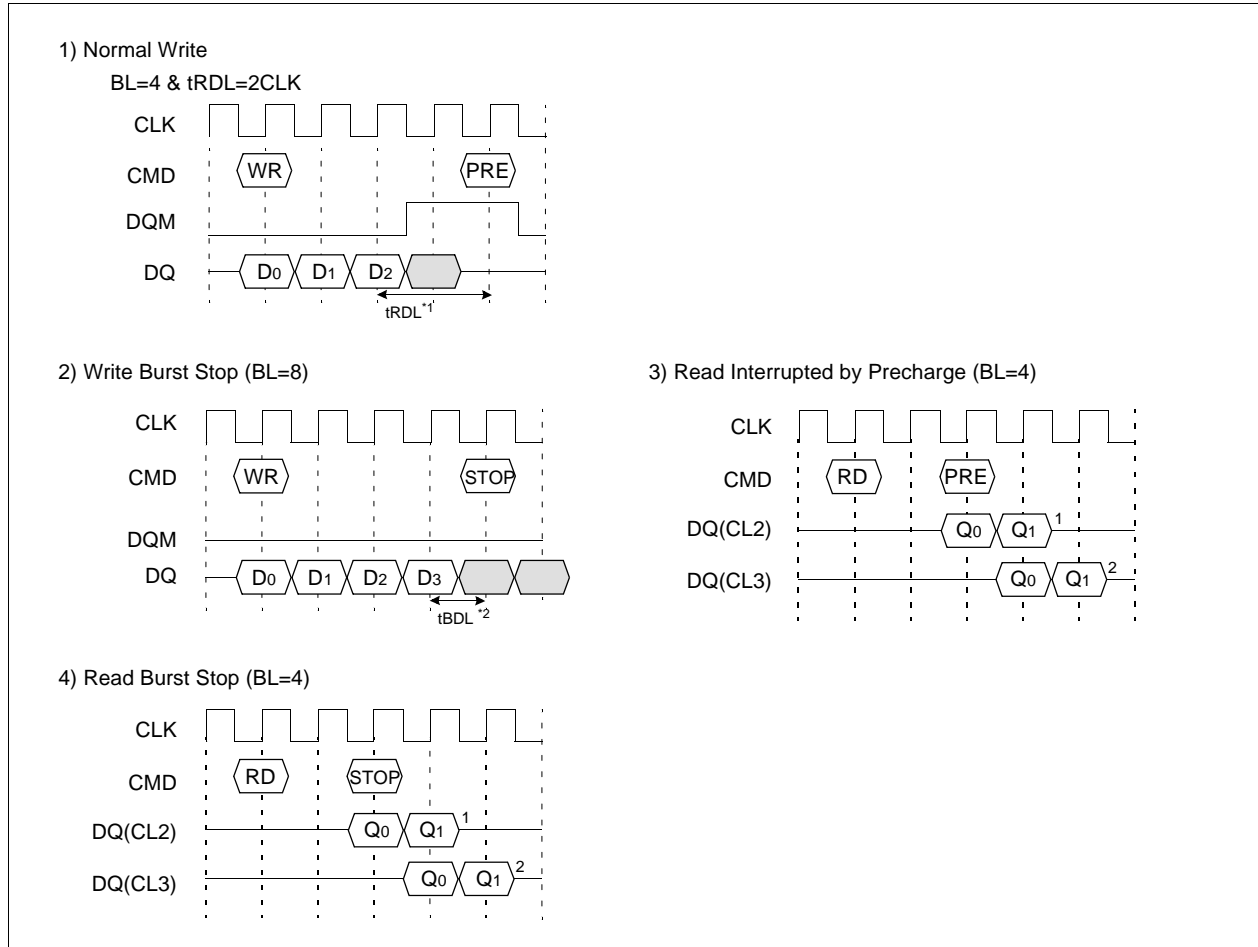
7. Auto Precharge



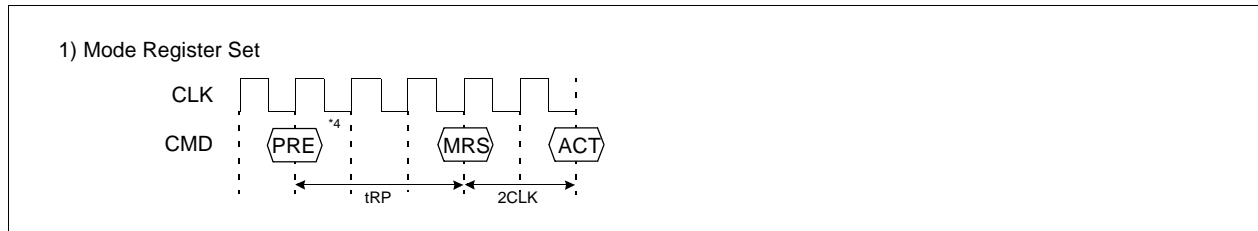
***NOTE:**

1. SAMSUNG can support $t_{RDL}=1CLK$ and $t_{RDL}=2CLK$ for all memory devices. SAMSUNG recommends $t_{RDL}=2 CLK$.
2. Number of valid output data after row precharge : 1, 2 for CAS Latency = 2, 3 respectively.
3. The row active command of the precharge bank can be issued after t_{RP} from this point.
The new read/write command of other activated bank can be issued from this point.
At burst read/write with auto precharge, CAS interrupt of the same bank is illegal
4. t_{DAL} defined Last data in to Active delay. SAMSUNG can support $t_{DAL}=t_{RDL}+ t_{RP}$.

8. Burst Stop & Interrupted by Precharge



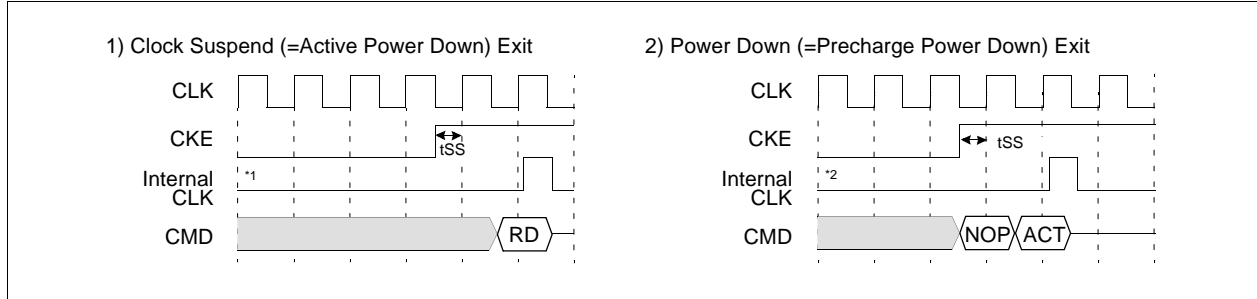
9. MRS



*NOTE:

1. SAMSUNG can support tRD=2 CLK.
2. tBDL : 1 CLK ; Last data in to burst stop delay.
Read or write burst stop command is valid at every burst length.
3. Number of valid output data after row precharge or burst stop : 1, 2 for CAS latency= 2, 3 respectively.
4. PRE : All banks precharge is necessary.
MRS can be issued only at all banks precharge state.

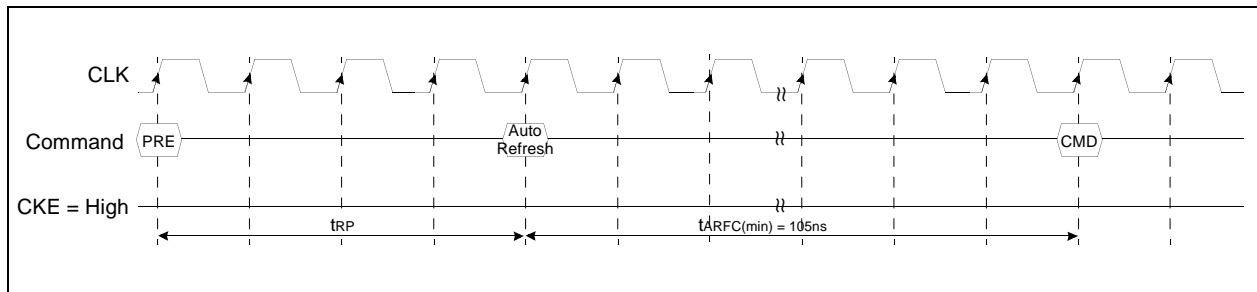
10. Clock Suspend Exit & Power Down Exit



11. Auto Refresh & Self Refresh

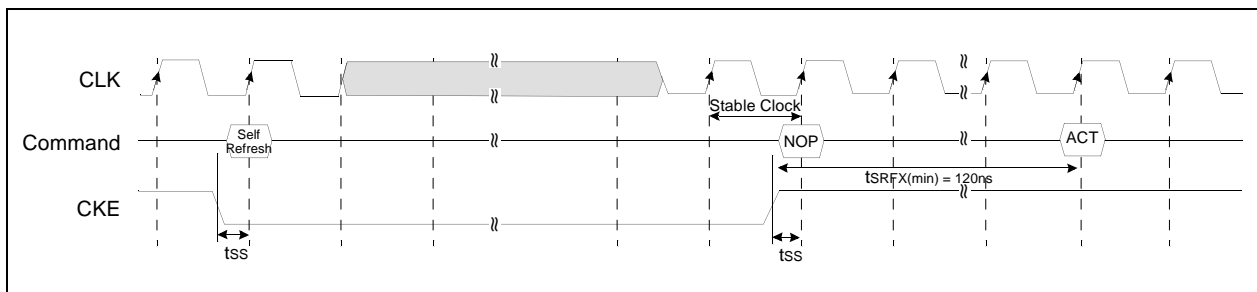
Auto Refresh

An auto refresh command is issued by having \overline{CS} , \overline{RAS} and \overline{CAS} held low with \overline{WE} high at the rising edge of the clock (CLK). All banks must be precharged and idle for $t_{RP}(\text{min})$ before the auto refresh command is applied. No control of the external address pins is required once this cycle has started because of the internal address counter. When the refresh cycle has completed, all banks will be in the idle state. A delay between the auto refresh command and the next activate command or subsequent auto refresh command must be greater than or equal to the $t_{ARFC}(\text{min})$.



Self Refresh

A Self Refresh command is defined by having \overline{CS} , \overline{RAS} , \overline{CAS} and CKE held low with \overline{WE} high at the rising edge of the clock. Once the self Refresh command is initiated, CKE must be held low to keep the device in Self Refresh mode. After 1 clock cycle from the self refresh command, all of the external control signals including system clock (CLK) can be disabled except CKE. The clock is internally disabled during Self Refresh operation to reduce power. To exit the Self Refresh mode, supply stable clock input before returning CKE high, assert deselect or NOP command and then assert CKE high. In case that the system uses burst auto refresh during normal operation, it is recommended to use burst 4096 auto refresh cycle immediately before entering self refresh mode and after exiting in self refresh mode. On the other hand, if the system uses the distributed auto refresh, the system only has to keep the refresh duty cycle.



12. About Burst Type Control

Basic MODE	Sequential Counting	At MRS A ₃ = "0". See the BURST SEQUENCE TABLE. (BL=4, 8) BL=1, 2, 4, 8 and full page.
	Interleave Counting	At MRS A ₃ = "1". See the BURST SEQUENCE TABLE. (BL=4, 8) BL=4, 8. At BL=1, 2 Interleave Counting = Sequential Counting.
Random MODE	Random column Access t _{CCD} = 1 CLK	Every cycle Read/Write Command with random column address can realize Random Column Access. That is similar to Extended Data Out (EDO) Operation of conventional DRAM.

13. About Burst Length Control

Basic MODE	1	At MRS A _{2,1,0} = "000". At auto precharge, t _{RAS} should not be violated.
	2	At MRS A _{2,1,0} = "001". At auto precharge, t _{RAS} should not be violated.
	4	At MRS A _{2,1,0} = "010".
	8	At MRS A _{2,1,0} = "011".
	Full Page	At MRS A _{2,1,0} = "111". Wrap around mode(infinite burst length) should be stopped by burst stop. RAS interrupt or CAS interrupt.
Special MODE	BRSW	At MRS A ₉ = "1". Read burst =1, 2, 4, 8, full page write Burst =1. At auto precharge of write, t _{RAS} should not be violated.
Random MODE	Burst Stop	t _{BDL} = 1, Valid DQ after burst stop is 1, 2 for CAS latency 2, 3 respectively Using burst stop command, any burst length control is possible.
Interrupt MODE	$\overline{\text{RAS}}$ Interrupt (Interrupted by Precharge)	Before the end of burst, Row precharge command of the same bank stops read/write burst with Row precharge. t _{RDL} = 2 with DQM, valid DQ after burst stop is 1, 2 for CAS latency 2, 3 respectively. During read/write burst with auto precharge, $\overline{\text{RAS}}$ interrupt can not be issued.
	$\overline{\text{CAS}}$ Interrupt	Before the end of burst, new read/write stops read/write burst and starts new read/write burst. During read/write burst with auto precharge, $\overline{\text{CAS}}$ interrupt can not be issued.

FUNCTION TRUTH TABLE (TABLE 1)

Current State	\overline{CS}	\overline{RAS}	\overline{CAS}	\overline{WE}	BA	Address	Action	Note
IDLE	H	X	X	X	X	X	NOP	
	L	H	H	H	X	X	NOP	
	L	H	H	L	X	X	ILLEGAL	2
	L	H	L	X	BA	CA, A10/AP	ILLEGAL	2
	L	L	H	H	BA	RA	Row (& Bank) Active ; Latch RA	
	L	L	H	L	BA	A10/AP	NOP	4
	L	L	L	H	X	X	Auto Refresh or Self Refresh	5
Row Active	L	L	L	L	OP code	OP code	Mode Register Access	5
	H	X	X	X	X	X	NOP	
	L	H	H	H	X	X	NOP	
	L	H	H	L	X	X	ILLEGAL	2
	L	H	L	H	BA	CA, A10/AP	Begin Read ; latch CA ; determine AP	
	L	H	L	L	BA	CA, A10/AP	Begin Read ; latch CA ; determine AP	
	L	L	H	H	BA	RA	ILLEGAL	2
Read	L	L	H	L	BA	A10/AP	Precharge	
	L	L	L	X	X	X	ILLEGAL	
	H	X	X	X	X	X	NOP (Continue Burst to End --> Row Active)	
	L	H	H	H	X	X	NOP (Continue Burst to End --> Row Active)	
	L	H	H	L	X	X	Term burst --> Row active	
	L	H	L	H	BA	CA, A10/AP	Term burst, New Read, Determine AP	
	L	H	L	L	BA	CA, A10/AP	Term burst, New Write, Determine AP	3
Write	L	L	H	H	BA	RA	ILLEGAL	2
	L	L	H	L	BA	A10/AP	Term burst, Precharge timing for Reads	
	L	L	L	X	X	X	ILLEGAL	
	H	X	X	X	X	X	NOP (Continue Burst to End --> Row Active)	
	L	H	H	H	X	X	NOP (Continue Burst to End --> Row Active)	
	L	H	L	H	BA	CA, A10/AP	Term burst, New read, Determine AP	3
	L	H	L	L	BA	CA, A10/AP	Term burst, New Write, Determine AP	3
Read with Auto Precharge	L	L	H	H	BA	RA	ILLEGAL	2
	L	L	H	L	BA	RA, RA10	ILLEGAL	
	L	L	L	X	X	X	ILLEGAL	
	H	X	X	X	X	X	NOP (Continue Burst to End --> Precharge)	
	L	H	H	H	X	X	NOP (Continue Burst to End --> Precharge)	
Write with Auto Precharge	L	L	L	X	X	X	ILLEGAL	
	L	H	H	L	X	X	ILLEGAL	
	L	H	L	X	BA	CA, A10/AP	ILLEGAL	
	L	L	H	X	BA	RA, RA10	ILLEGAL	2
	L	L	L	X	X	X	ILLEGAL	

FUNCTION TRUTH TABLE (TABLE 1)

Current	\overline{CS}	\overline{RAS}	\overline{CAS}	\overline{WE}	BA	Address	Action	Note
Precharging	H	X	X	X	X	X	NOP --> Idle after tRP	
	L	H	H	H	X	X	NOP --> Idle after tRP	
	L	H	H	L	X	X	ILLEGAL	2
	L	H	L	X	BA	CA	ILLEGAL	2
	L	L	H	H	BA	RA	ILLEGAL	2
	L	L	H	L	BA	A10/AP	NOP --> Idle after tRP	4
Row Activating	L	L	L	X	X	X	ILLEGAL	
	H	X	X	X	X	X	NOP --> Row Active after tRCD	
	L	H	H	H	X	X	NOP --> Row Active after tRCD	
	L	H	H	L	X	X	ILLEGAL	2
	L	H	L	X	BA	CA	ILLEGAL	2
	L	L	H	H	BA	RA	ILLEGAL	2
	L	L	H	L	BA	A10/AP	ILLEGAL	2
Refreshing	L	L	L	X	X	X	ILLEGAL	
	H	X	X	X	X	X	NOP --> Idle after tRC	
	L	H	H	X	X	X	NOP --> Idle after tRC	
	L	H	L	X	X	X	ILLEGAL	
	L	L	H	X	X	X	ILLEGAL	
Mode Register Accessing	L	L	L	X	X	X	ILLEGAL	
	H	X	X	X	X	X	NOP --> Idle after 2 clocks	
	L	H	H	H	X	X	NOP --> Idle after 2 clocks	
	L	H	H	L	X	X	ILLEGAL	
	L	H	L	X	X	X	ILLEGAL	
L	L	X	X	X	X	ILLEGAL		

Abbreviations : RA = Row Address BA = Bank Address
 NOP = No Operation Command CA = Column Address AP = Auto Precharge

***NOTE:**

1. All entries assume the CKE was active (High) during the precharge clock and the current clock cycle.
2. Illegal to bank in specified state ; Function may be legal in the bank indicated by BA, depending on the state of that bank.
3. Must satisfy bus contention, bus turn around, and/or write recovery requirements.
4. NOP to bank precharging or in idle state. May precharge bank indicated by BA (and A10/AP).
5. Illegal if any bank is not idle.

FUNCTION TRUTH TABLE (TABLE 2)

Current State	CKE (n-1)	CKE n	\overline{CS}	\overline{RAS}	\overline{CAS}	\overline{WE}	Address	Action	Note
Self Refresh	H	X	X	X	X	X	X	Exit Self Refresh --> Idle after tsRFX(ABI)	
	L	H	H	X	X	X	X	Exit Self Refresh --> Idle after tsRFX(ABI)	6
	L	H	L	H	H	H	X	Exit Self Refresh --> Idle after tsRFX(ABI)	6
	L	H	L	H	H	L	X	ILLEGAL	
	L	H	L	H	L	X	X	ILLEGAL	
	L	H	L	L	X	X	X	ILLEGAL	
	L	L	X	X	X	X	X	NOP (Maintain Self Refresh)	
All Banks Precharge Power Down	H	X	X	X	X	X	X	INVALID	
	L	H	H	X	X	X	X	Exit Power Down --> ABI	
	L	H	L	H	H	H	X	Exit Power Down --> ABI	7
	L	H	L	H	H	L	X	ILLEGAL	7
	L	H	L	H	L	X	X	ILLEGAL	
	L	H	L	L	X	X	X	ILLEGAL	
	L	L	X	X	X	X	X	NOP (Maintain Low Power Mode)	
All Banks Idle	H	H	X	X	X	X	X	Refer to Table 1	
	H	L	H	X	X	X	X	Enter Power Down	
	H	L	L	H	H	H	X	Enter Power Down	8
	H	L	L	H	H	L	X	ILLEGAL	8
	H	L	L	H	L	X	X	ILLEGAL	
	H	L	L	L	H	H	RA	Row (& Bank) Active	
	H	L	L	L	L	H	X	Enter Self Refresh	8
	H	L	L	L	L	L	OP Code	Mode Register Access	
Any State other than Listed above	L	L	X	X	X	X	X	NOP	
	H	H	X	X	X	X	X	Refer to Operations in Table 1	
	H	L	X	X	X	X	X	Begin Clock Suspend next cycle	9
	L	H	X	X	X	X	X	Exit Clock Suspend next cycle	9
	L	L	X	X	X	X	X	Maintain Clock Suspend	

Abbreviations : ABI = All Banks Idle, RA = Row Address

***NOTE:**

6. CKE low to high transition is asynchronous.
7. CKE low to high transition is asynchronous if restarts internal clock.
A minimum setup time 1CLK + tss must be satisfied before any command other than exit.
8. Power down and self refresh can be entered only from the all banks idle state.
9. Must be a legal command.

Power Up Sequence

Single Bit Read - Write - Read Cycle(Same Page) @CAS Latency=3, Burst Length=1

Read & Write Cycle at Same Bank @Burst Length=4, tRDL=2CLK

Page Read & Write Cycle at Same Bank @Burst Length=4, tRDL=2CLK

Page Read Cycle at Different Bank @Burst Length=4

Page Write Cycle at Different Bank @Burst Length=4, tRDL=2CLK

Read & Write Cycle at Different Bank @Burst Length=4

Read & Write Cycle With Auto Precharge I @Burst Length=4

Read & Write Cycle With Auto Precharge II @Burst Length=4

Clock Suspension & DQM Operation Cycle @CAS Latency=2, Burst Length=4

Read Interrupted by Precharge Command & Read Burst Stop Cycle @ Full Page Burst

Write Interrupted by Precharge Command & Write Burst Stop Cycle @ Full Page Burst, tRDL=2CLK

Burst Read Single bit Write Cycle @Burst Length =2

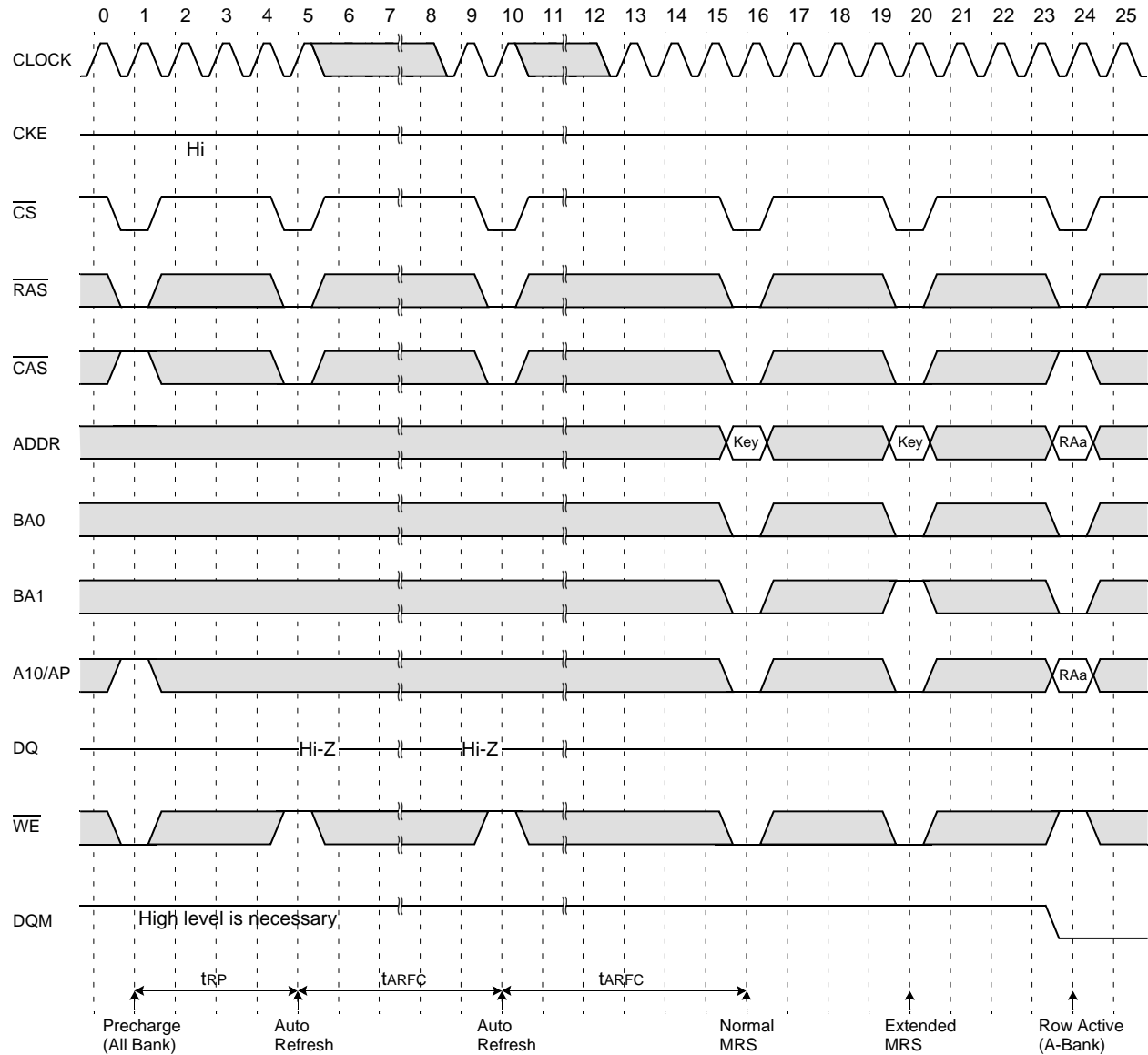
Active/precharge Power Down Mode @CAS Latency=2 Burst Length=4

Self Refresh Entry & Exit Cycle & Exit Cycle

Mode Register Set Cycle and Auto Refresh Cycle

Extended Mode Register Set Cycle

Power Up Sequence for Mobile SDRAM



***NOTE:**

1. Apply power and attempt to maintain CKE at a high state and all other inputs may be undefined.
- Apply VDD before or at the same time as VDDQ.
2. Maintain stable power, stable clock and NOP input condition for a minimum of 200us.
3. Issue precharge commands for all banks of the devices.
4. Issue 2 or more auto-refresh commands.
5. Issue a mode register set command to initialize the mode register.
6. Issue an extended mode register set command to define DS or PASR operating type of the device after normal MRS.

EMRS cycle is not mandatory and the EMRS command needs to be issued only when DS or PASR is used.

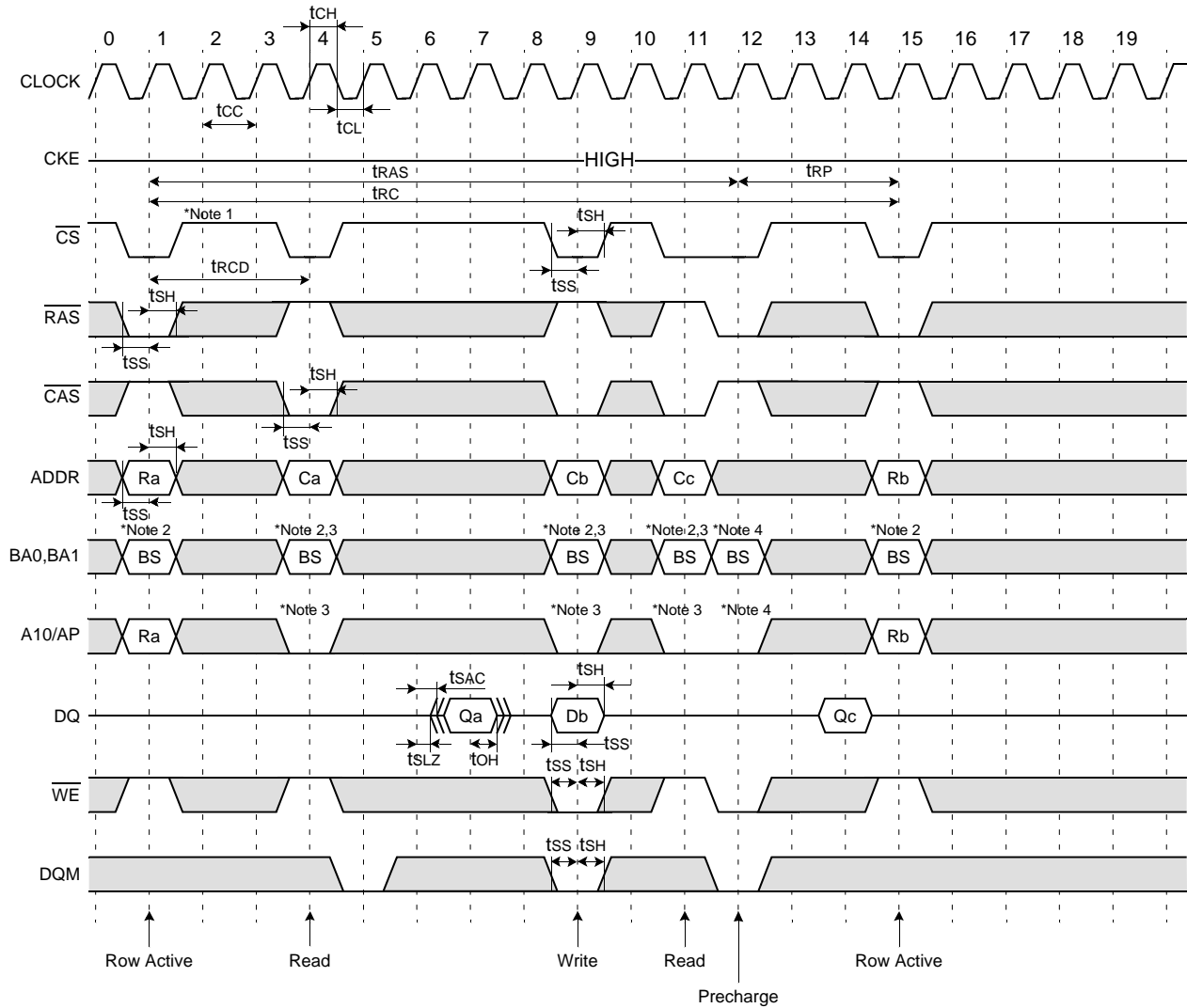
The default state without EMRS command issued is half driver strength, all 4 banks refreshed.

The device is now ready for the operation selected by EMRS.

For operating with DS or PASR, set DS or PASR mode in EMRS setting stage.

In order to adjust another mode in the state of DS or PASR mode, additional EMRS set is required but power up sequence is not needed again at this time. In that case, all banks have to be in idle state prior to adjusting EMRS set.

Single Bit Read-Write-Read Cycle(Same Page) @CAS Latency=3, Burst Length=1

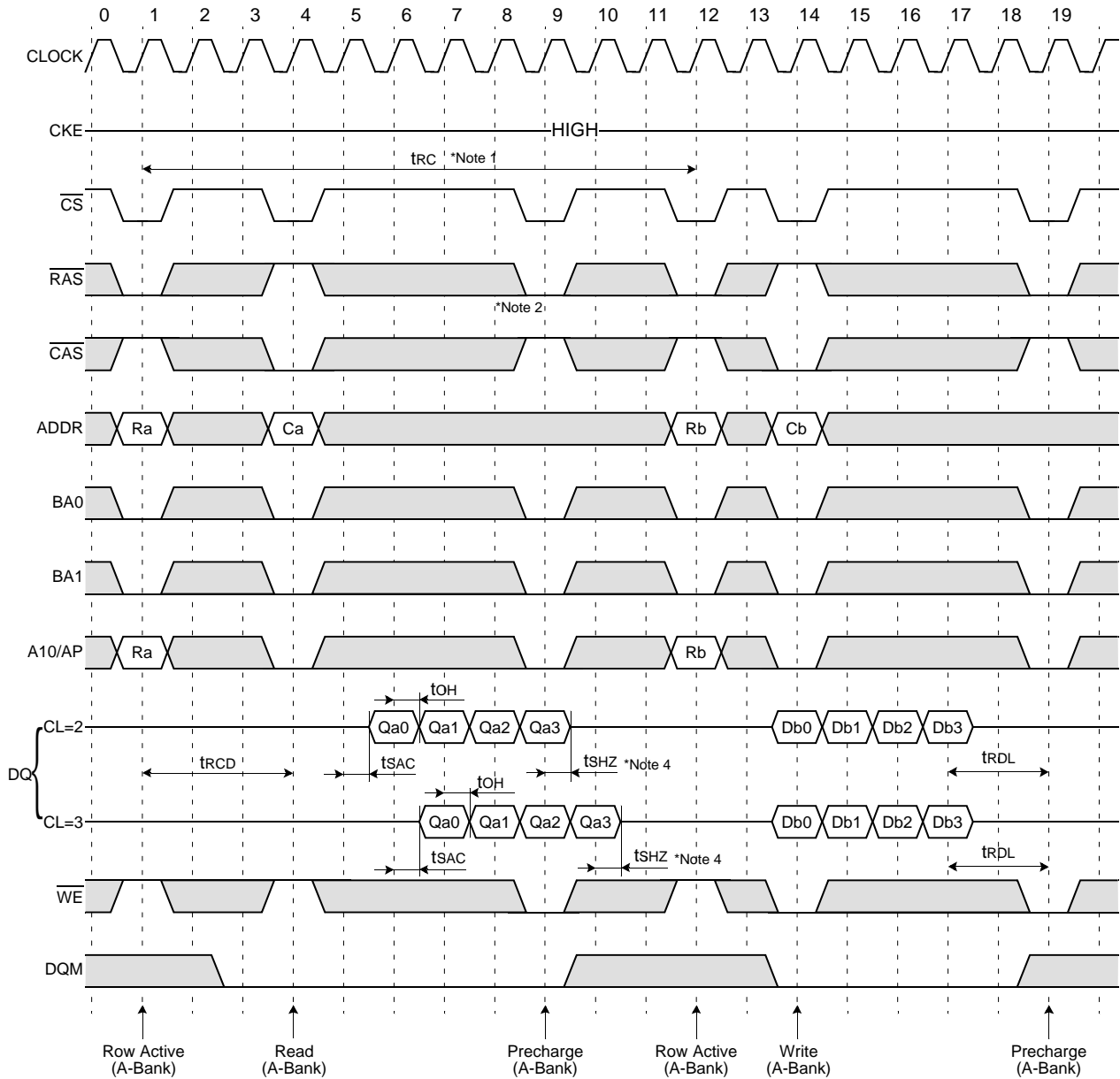


***NOTE:**

1. All input except CKE & DQM can be don't care when \overline{CS} is high at the CLK high going edge.
2. Bank active & read/write are controlled by BA0,BA1.

□ : Don't care

Read & Write Cycle at Same Bank @Burst Length=4, tRDL=2CLK

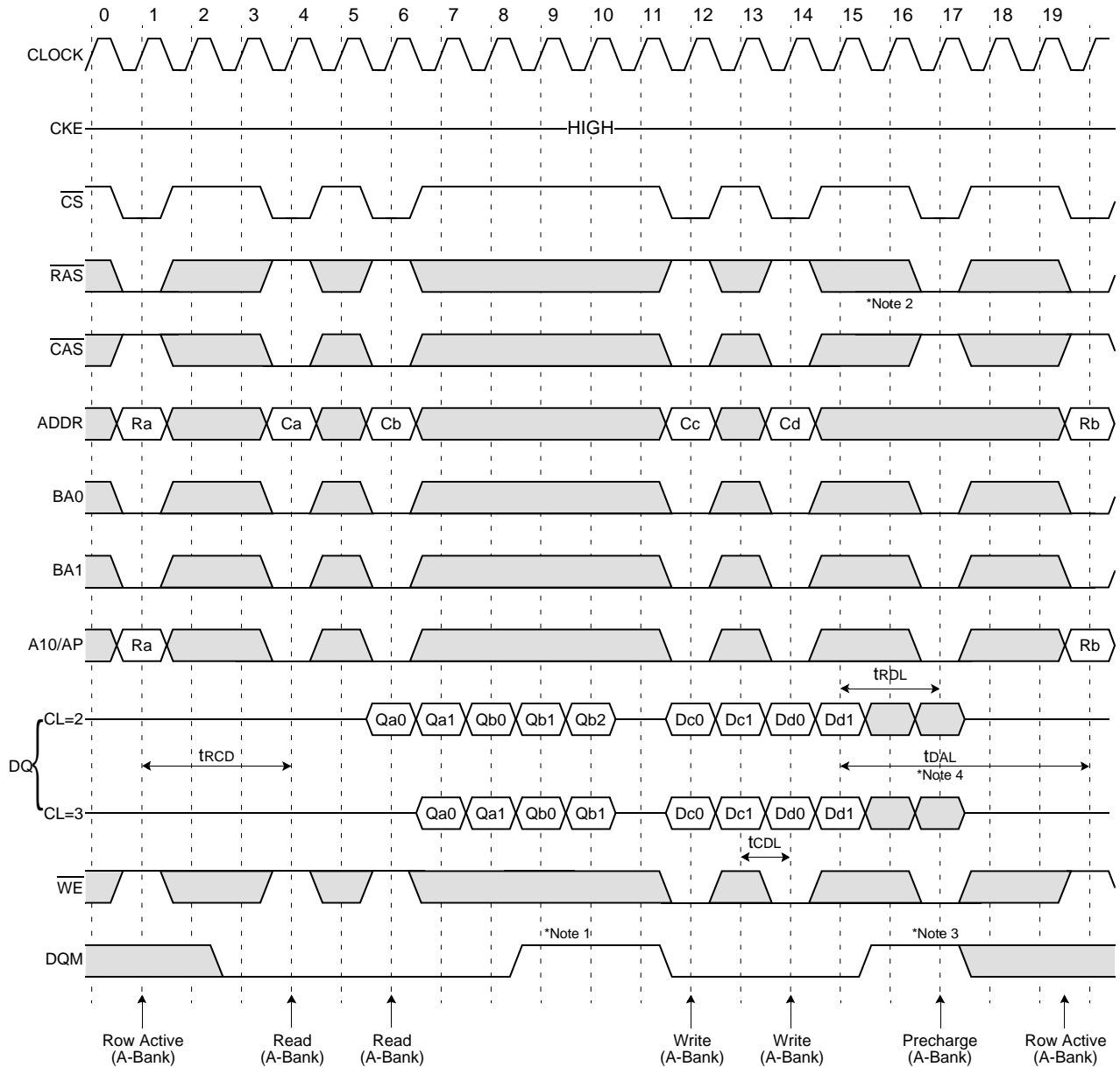


□ : Don't care

***NOTE:**

1. Minimum row cycle times is required to complete internal DRAM operation.
2. Row precharge can interrupt burst on any cycle. [CAS Latency - 1] number of valid output data is available after Row precharge. Last valid output will be Hi-Z(tSHZ) after the clock.
3. Ouput will be Hi-Z after the end of burst. (1, 2, 4, 8 & Full page bit burst)

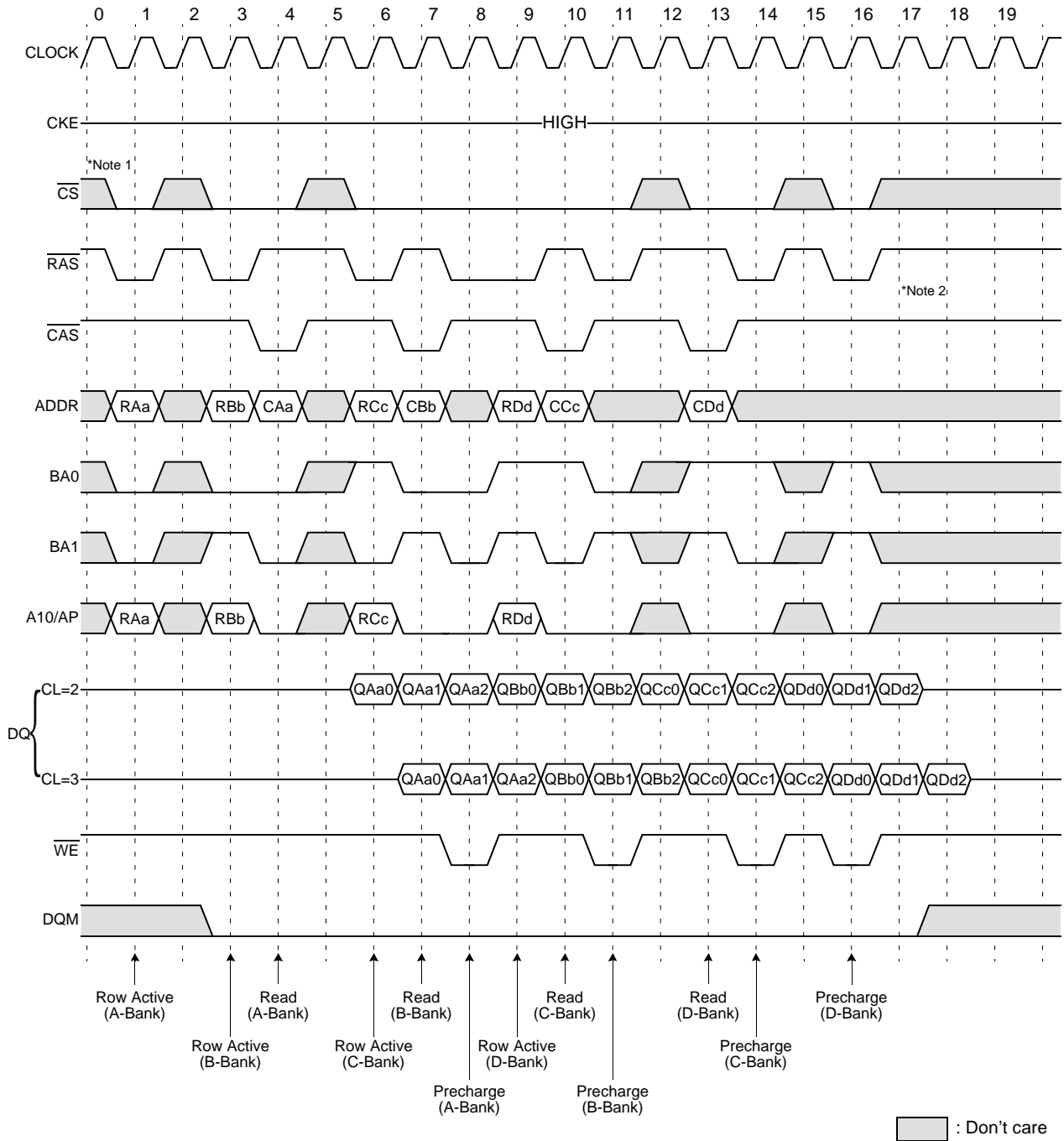
Page Read & Write Cycle at Same Bank @Burst Length=4, tRDL=2CLK



***NOTE:**

1. To write data before burst read ends, DQM should be asserted three cycle prior to write command to avoid bus contention.
2. Row precharge will interrupt writing. Last data input, tRDL before Row precharge, will be written.
3. DQM should mask invalid input data on precharge command cycle when asserting precharge before end of burst. Input data after Row precharge cycle will be masked internally.
4. tDAL ,last data in to active delay, is 2CLK + tRP.

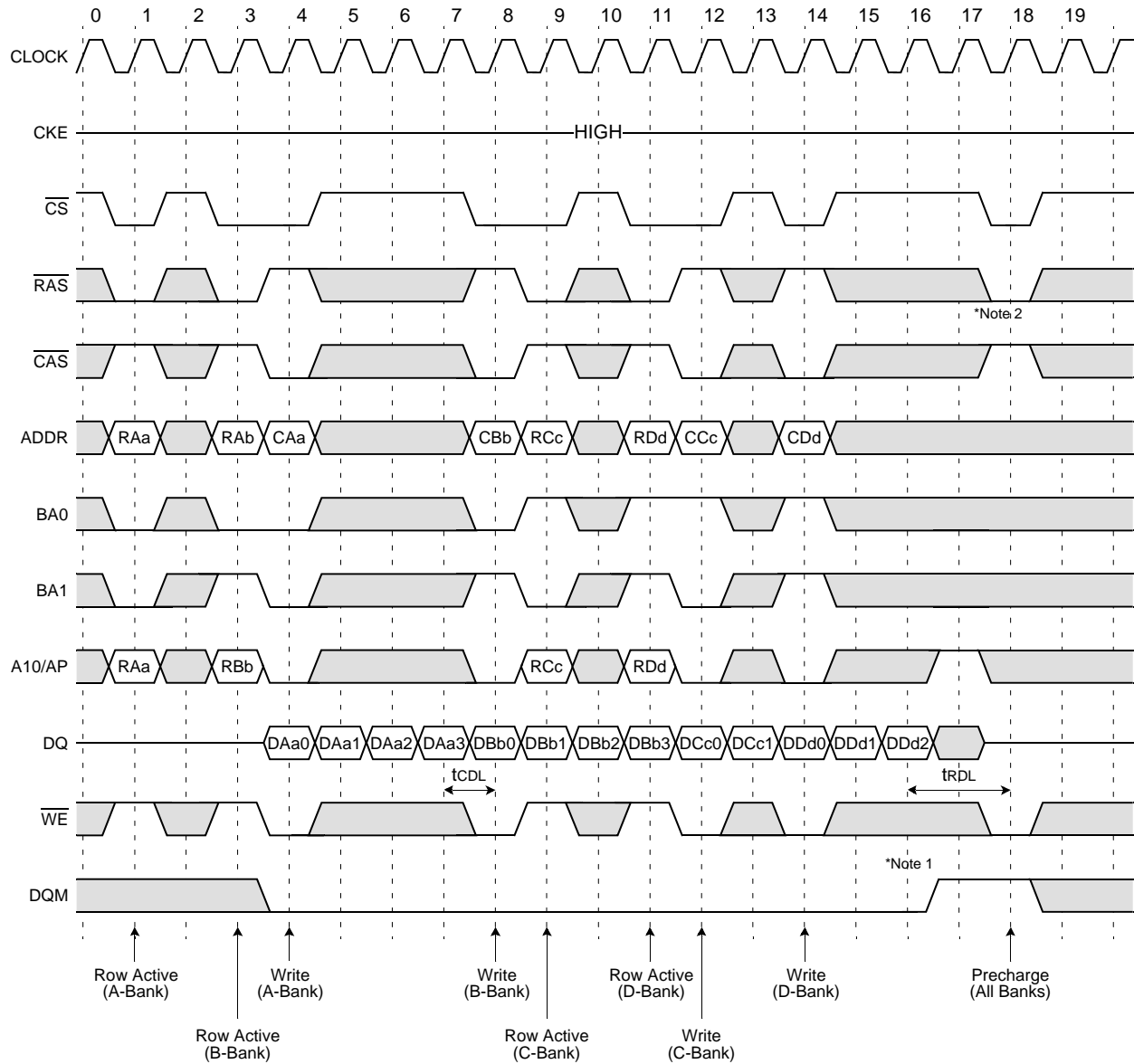
Page Read Cycle at Different Bank @Burst Length=4



***NOTE:**

1. CS can be don't cared when $\overline{\text{RAS}}$, $\overline{\text{CAS}}$ and $\overline{\text{WE}}$ are high at the clock high going dege.
2. To interrupt a burst read by row precharge, both the read and the precharge banks must be the same.

Page Write Cycle at Different Bank @Burst Length=4, tRDL=2CLK

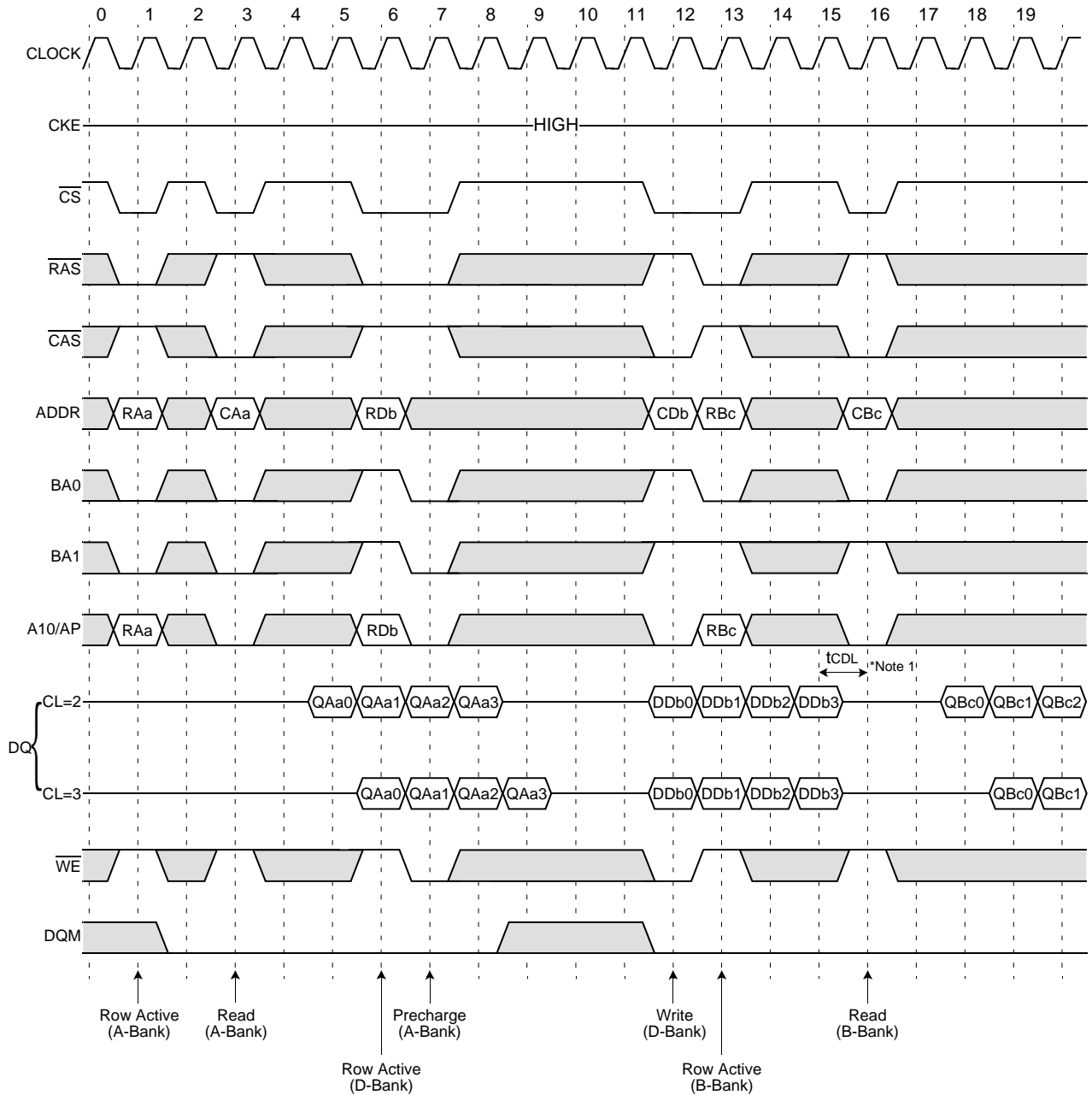


□ : Don't care

***NOTE:**

1. To interrupt burst write by Row precharge, DQM should be asserted to mask invalid input data.
2. To interrupt burst write by Row precharge, both the write and the precharge banks must be the same.

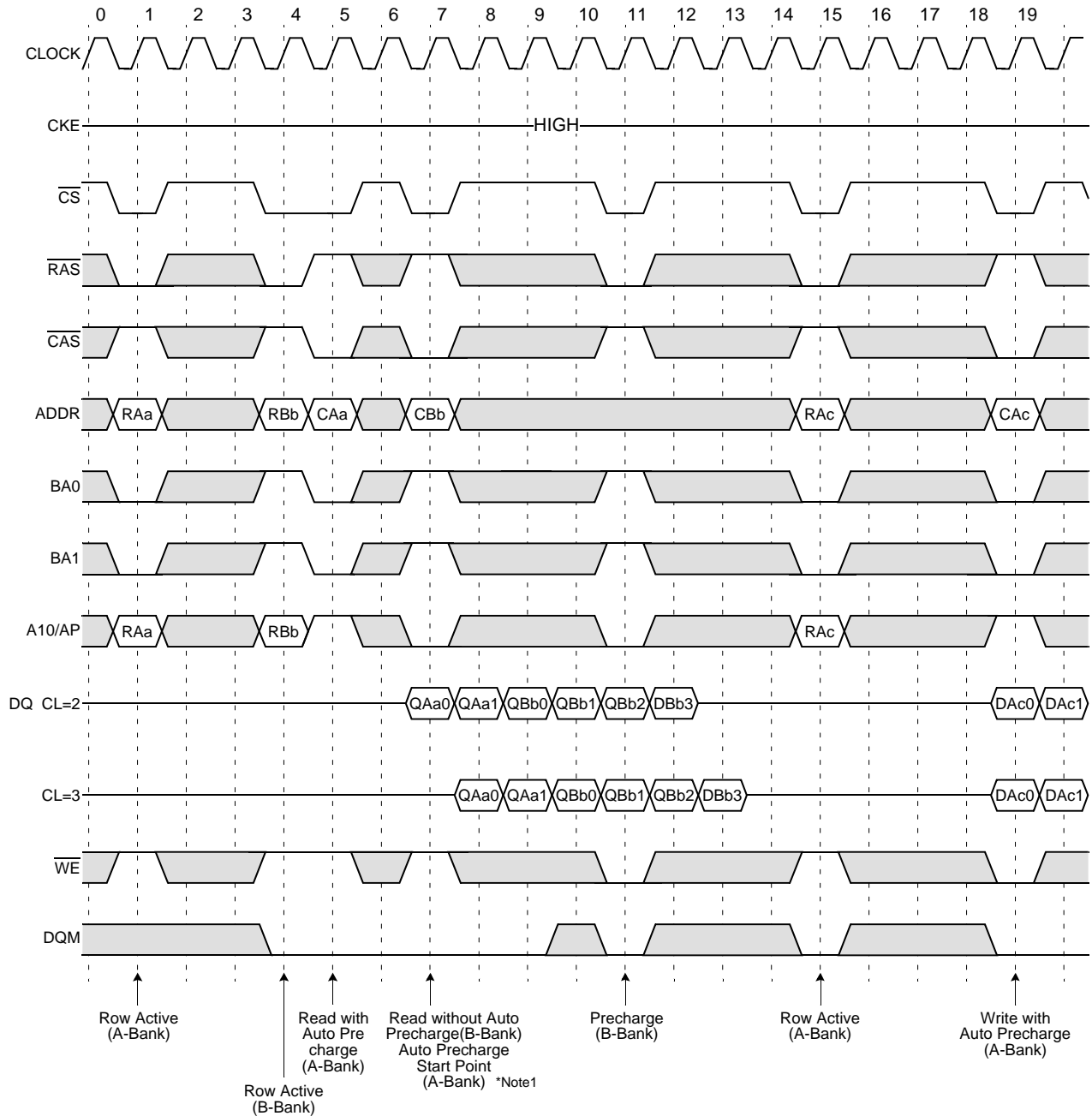
Read & Write Cycle at Different Bank @Burst Length=4



***NOTE:**
1. t_{CDL} should be met to complete write.

☐ : Don't care

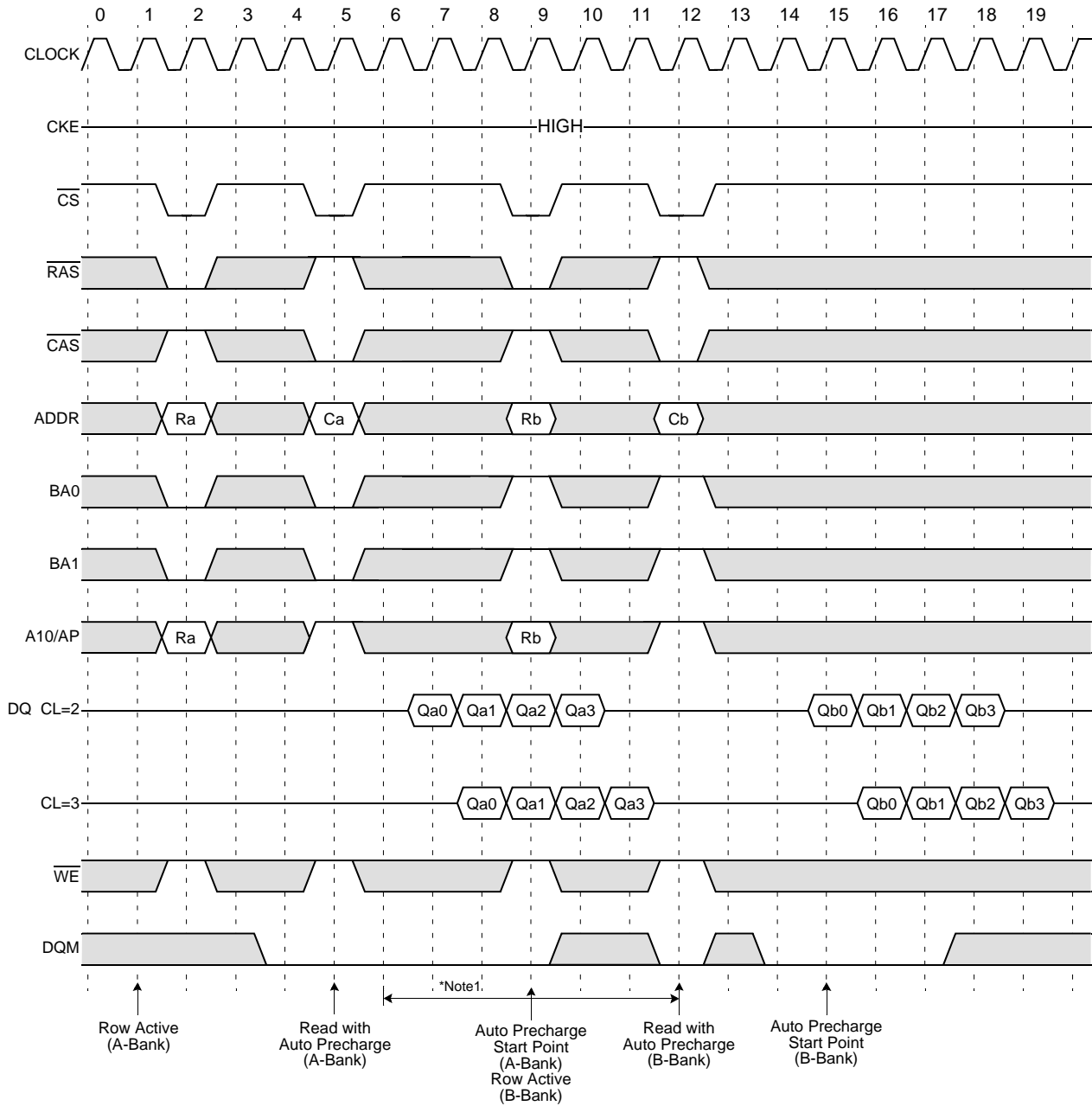
Read & Write Cycle with Auto Precharge I @Burst Length=4



***NOTE:**

- When Read(Write) command with auto precharge is issued at A-Bank after A and B Bank activation.
 - if Read(Write) command without auto precharge is issued at B-Bank before A-Bank auto precharge starts, A-Bank auto precharge will start at B-Bank read command input point.
 - any command can not be issued at A-Bank during tRP after A-Bank auto precharge starts.

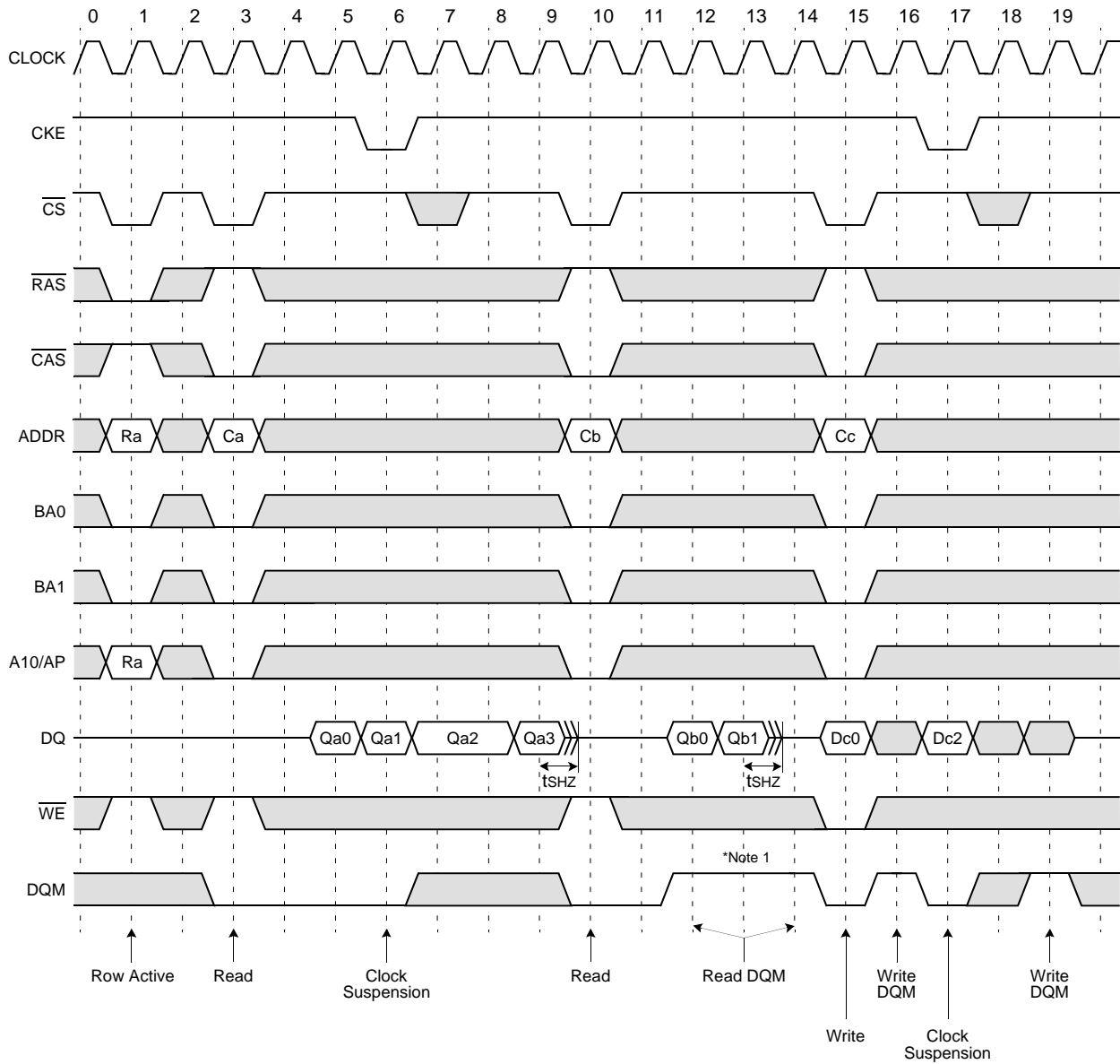
Read & Write Cycle with Auto Precharge II @Burst Length=4



□ : Don't care

***NOTE:**
1. Any command to A-bank is not allowed in this period.
tRP is determined from at auto precharge start point

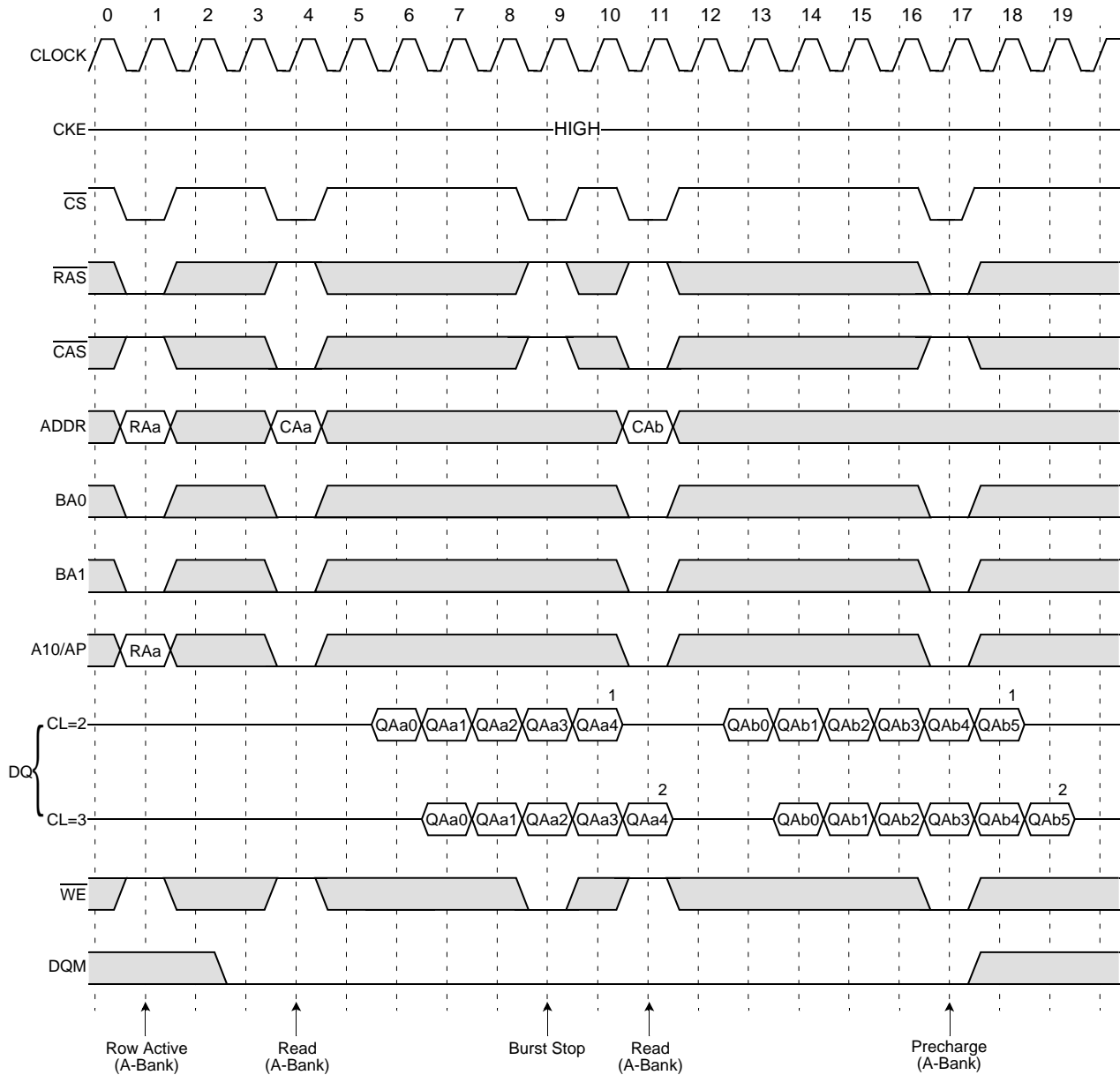
Clock Suspension & DQM Operation Cycle @CAS Latency=2, Burst Length=4



***NOTE:**
 1. DQM is needed to prevent bus contention.

□ : Don't care

Read Interrupted by Precharge Command & Read Burst Stop Cycle @Full Page Burst

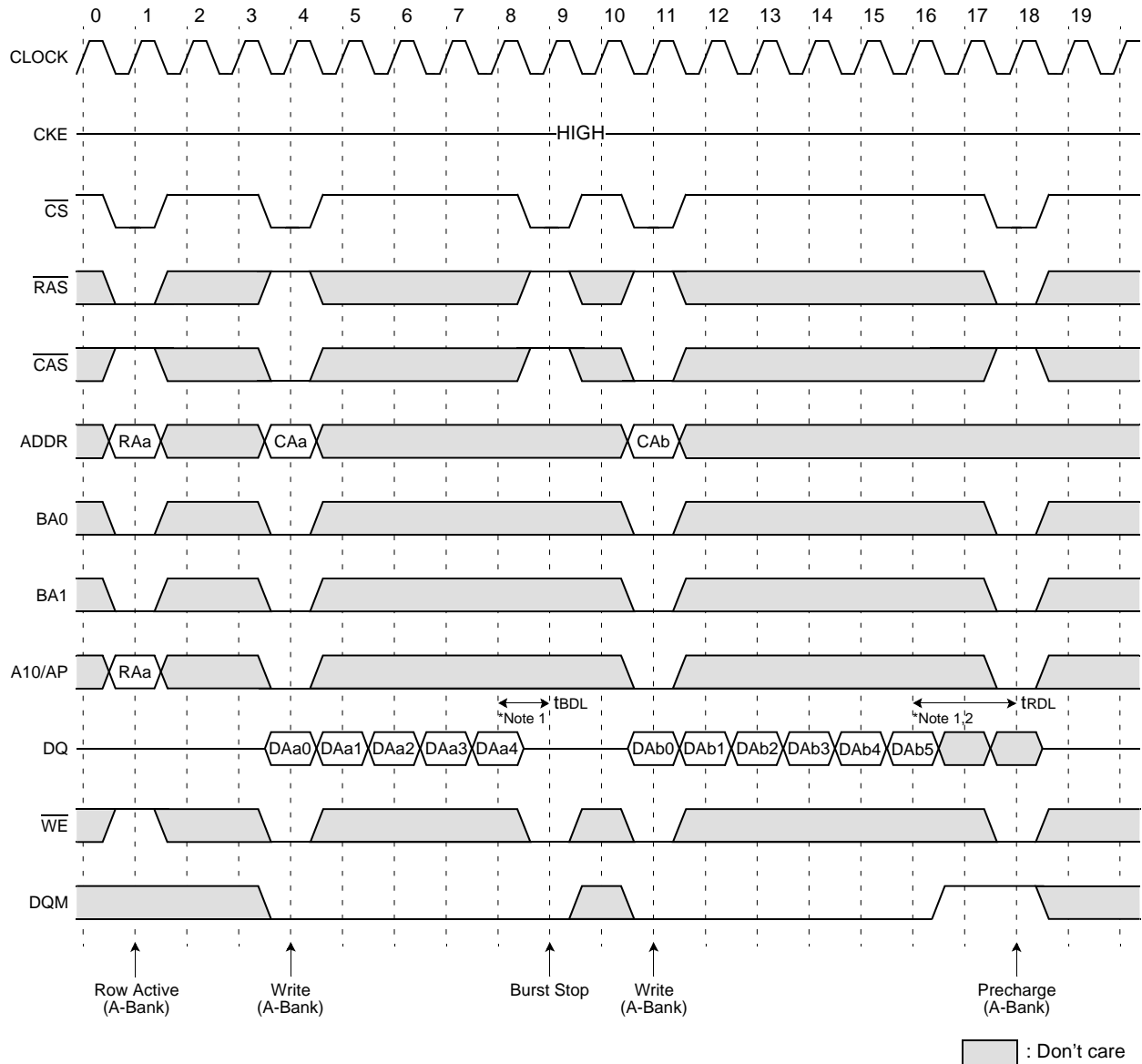


□ : Don't care

***NOTE:**

- At full page mode, burst is finished by burst stop or precharge.
- About the valid DQs after burst stop, it is same as the case of \overline{RAS} interrupt. Both cases are illustrated above timing diagram. See the label 1, 2 on them. But at burst write, Burst stop and \overline{RAS} interrupt should be compared carefully. Refer the timing diagram of "Full page write burst stop cycle".
- Burst stop is valid at every burst length.

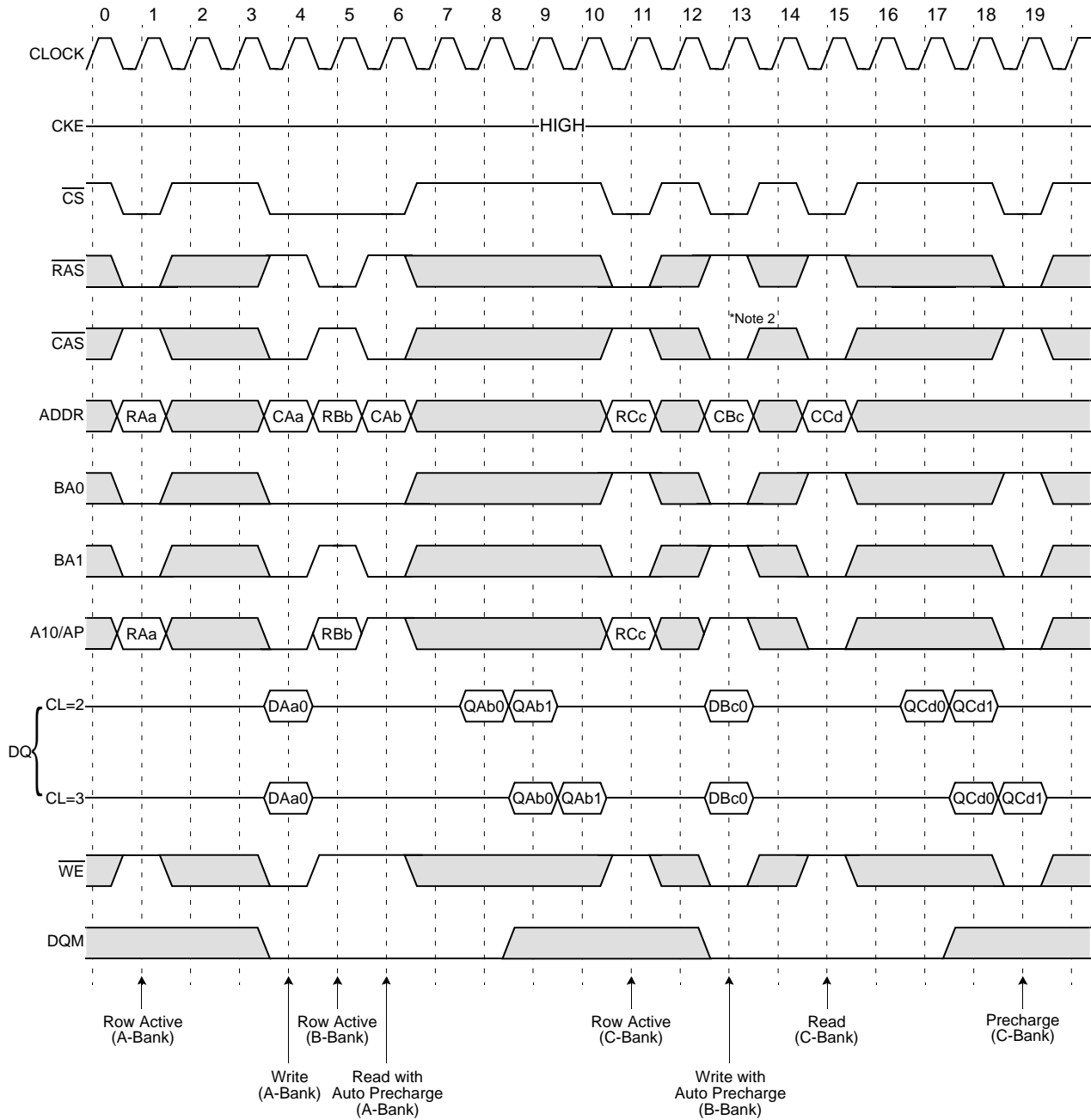
Write Interrupted by Precharge Command & Write Burst Stop Cycle @ Full Page Burst,
tRDL=2CLK



***NOTE:**

- At full page mode, burst is finished by burst stop or precharge.
- Data-in at the cycle of interrupted by precharge can not be written into the corresponding memory cell. It is defined by AC parameter of tRDL.
DQM at write interrupted by precharge command is needed to prevent invalid write.
DQM should mask invalid input data on precharge command cycle when asserting precharge before end of burst. Input data after Row precharge cycle will be masked internally.
- Burst stop is valid at every burst length.

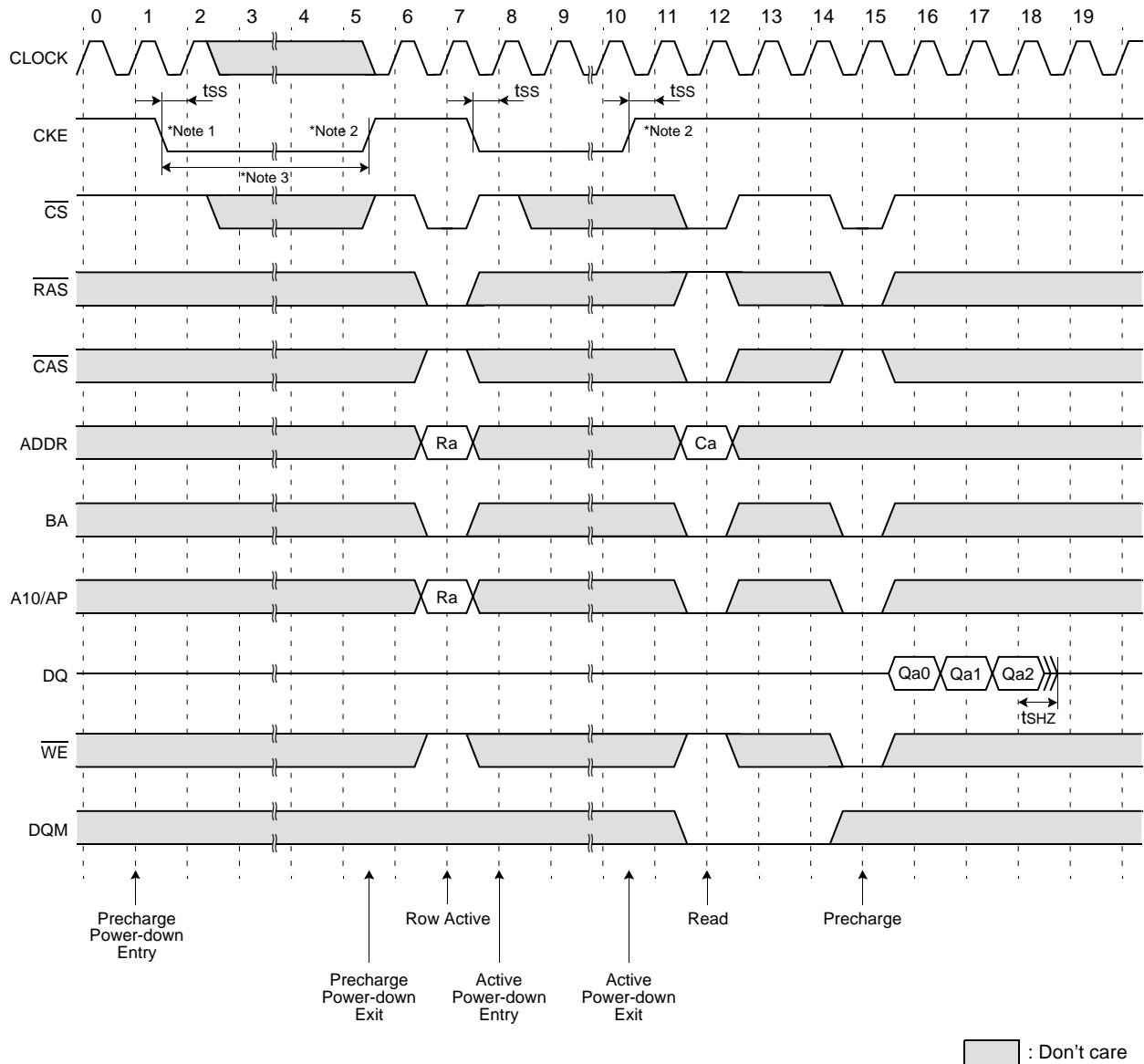
Burst Read Single bit Write Cycle @Burst Length=2



***NOTE:**

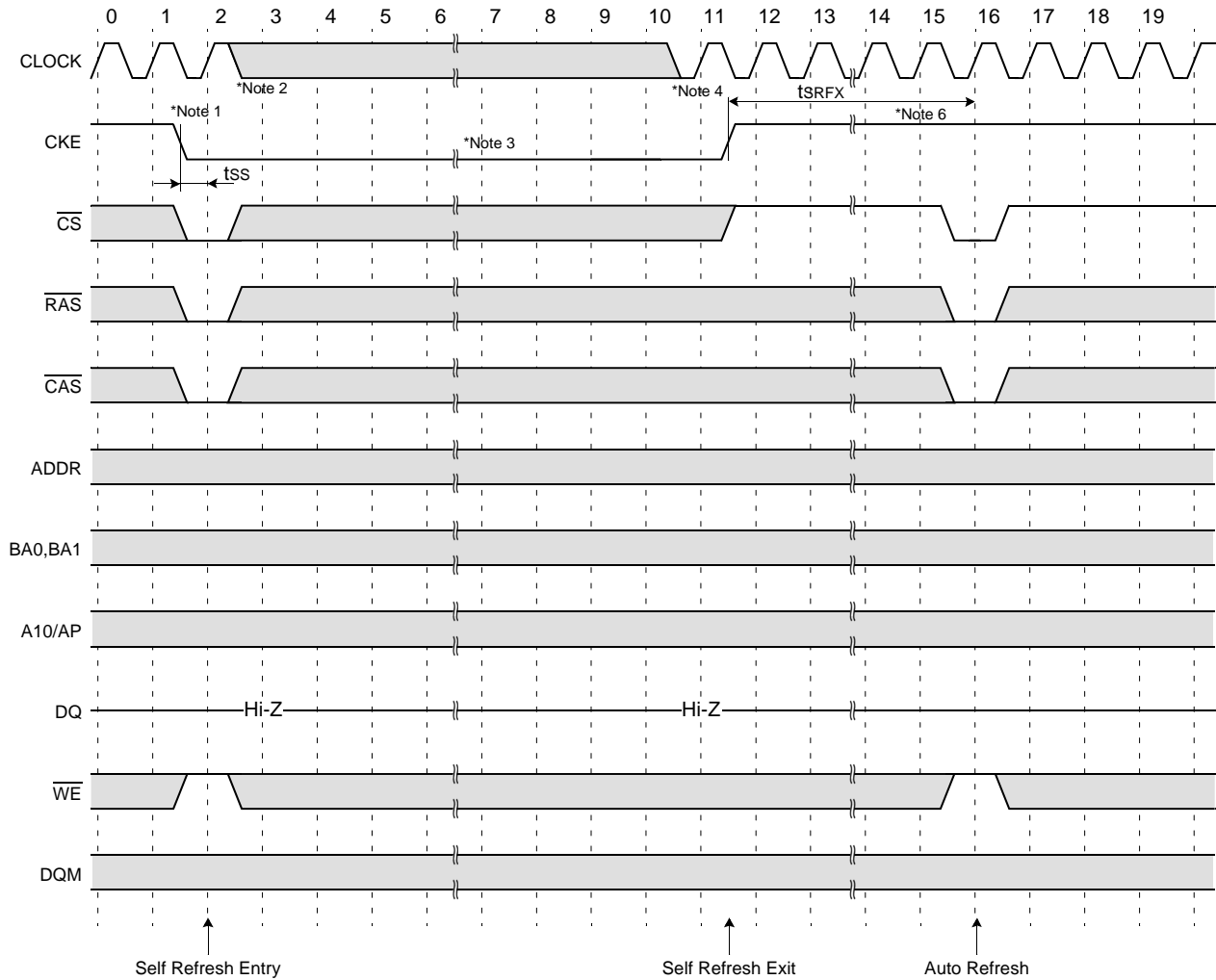
1. BRSW modes is enabled by setting A9 "High" at MRS (Mode Register Set).
At the BRSW Mode, the burst length at write is fixed to "1" regardless of programmed burst length.
2. When BRSW write command with auto precharge is executed, keep it in mind that tRAS should not be violated.
Auto precharge is executed at the burst-end cycle, so in the case of BRSW write command, the next cycle starts the precharge.

Active/Precharge Power Down Mode @CAS Latency=2, Burst Length=4



- *NOTE:**
1. All banks should be in idle state prior to entering precharge power down mode.
 2. CKE should be set high at least 1CLK + tSS prior to Row active command.
 3. Can not violate minimum refresh specification. (64ms)

Self Refresh Entry & Exit Cycle



□ : Don't care

***NOTE:**

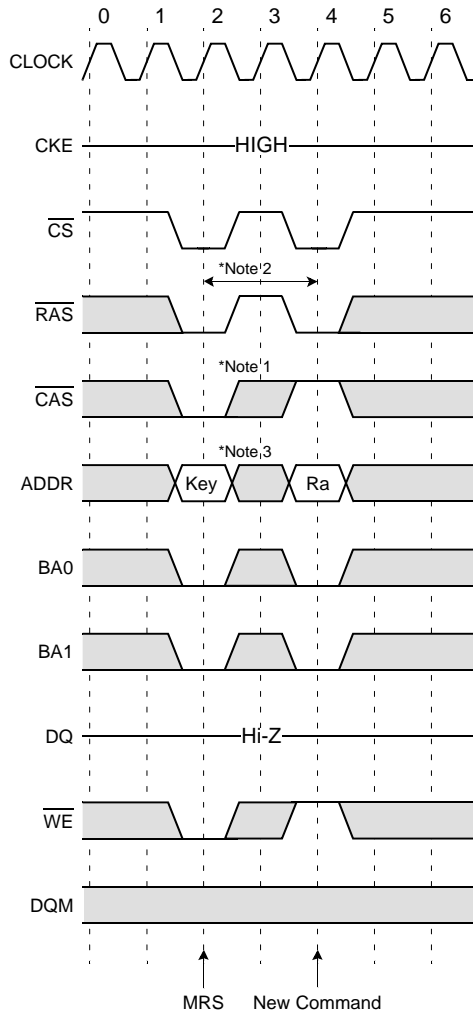
TO ENTER SELF REFRESH MODE

1. CS, RAS & CAS with CKE should be low at the same clock cycle.
2. After 1 clock cycle, all the inputs including the system clock can be don't care except for CKE.
3. The device remains in self refresh mode as long as CKE stays "Low".
cf.) Once the device enters self refresh mode, minimum tRAS is required before exit from self refresh.

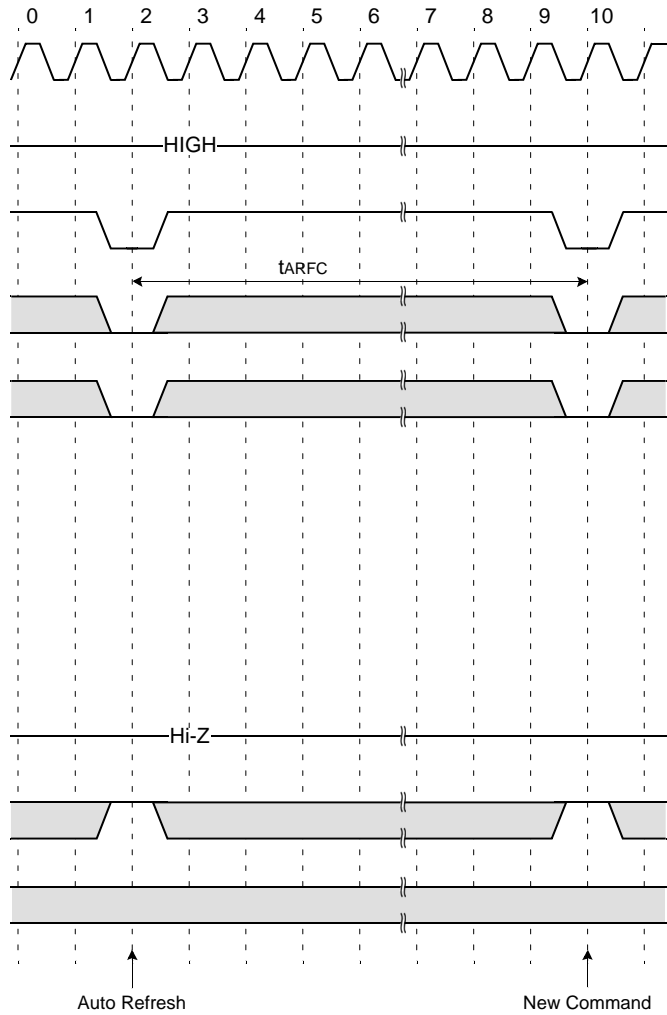
TO EXIT SELF REFRESH MODE

4. System clock restart and be stable before returning CKE high.
5. CS starts from high.
6. Minimum tRC is required after CKE going high to complete self refresh exit.
7. 4K cycle(64Mb ,128Mb) or 8K cycle(256Mb, 512Mb) of burst auto refresh is required before self refresh entry and after self refresh exit if the system uses burst refresh.


Mode Register Set Cycle



Auto Refresh Cycle



* All banks precharge should be completed before Mode Register Set cycle and auto refresh cycle.

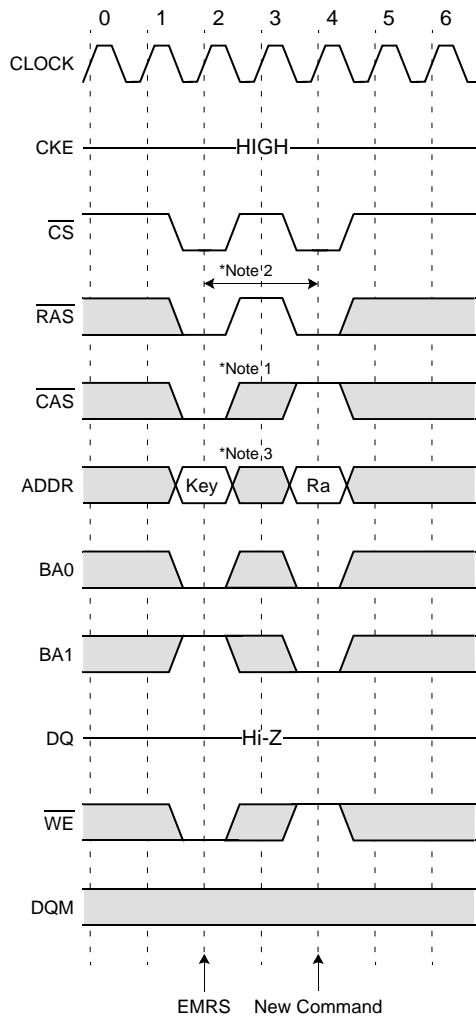
 : Don't care


***NOTE:**

MODE REGISTER SET CYCLE

1. CS, RAS, CAS, BA0, BA1 & WE activation at the same clock cycle with address key will set internal mode register.
2. Minimum 2 clock cycles should be met before new RAS activation.
3. Please refer to Mode Register Set table.

Extended Mode Register Set Cycle



 : Don't care

***NOTE:**

EXTENDED MODE REGISTER SET CYCLE

1. CS, RAS, CAS, BA0, BA1 & WE activation at the same clock cycle with address key will set internal mode register.
2. Minimum 2 clock cycles should be met before new RAS activation.
3. Please refer to Mode Register Set table.

PACKAGE DIMENSION

